

**BLOCK DIAGRAMS**

**AUDIO SECTION BLOCK DIAGRAM**

**D-VIDEO**  
 • See page 135-139 →  
 SCHEMATIC DIAGRAM

**OPERATION**  
 • See page 130 →  
 SCHEMATIC DIAGRAM

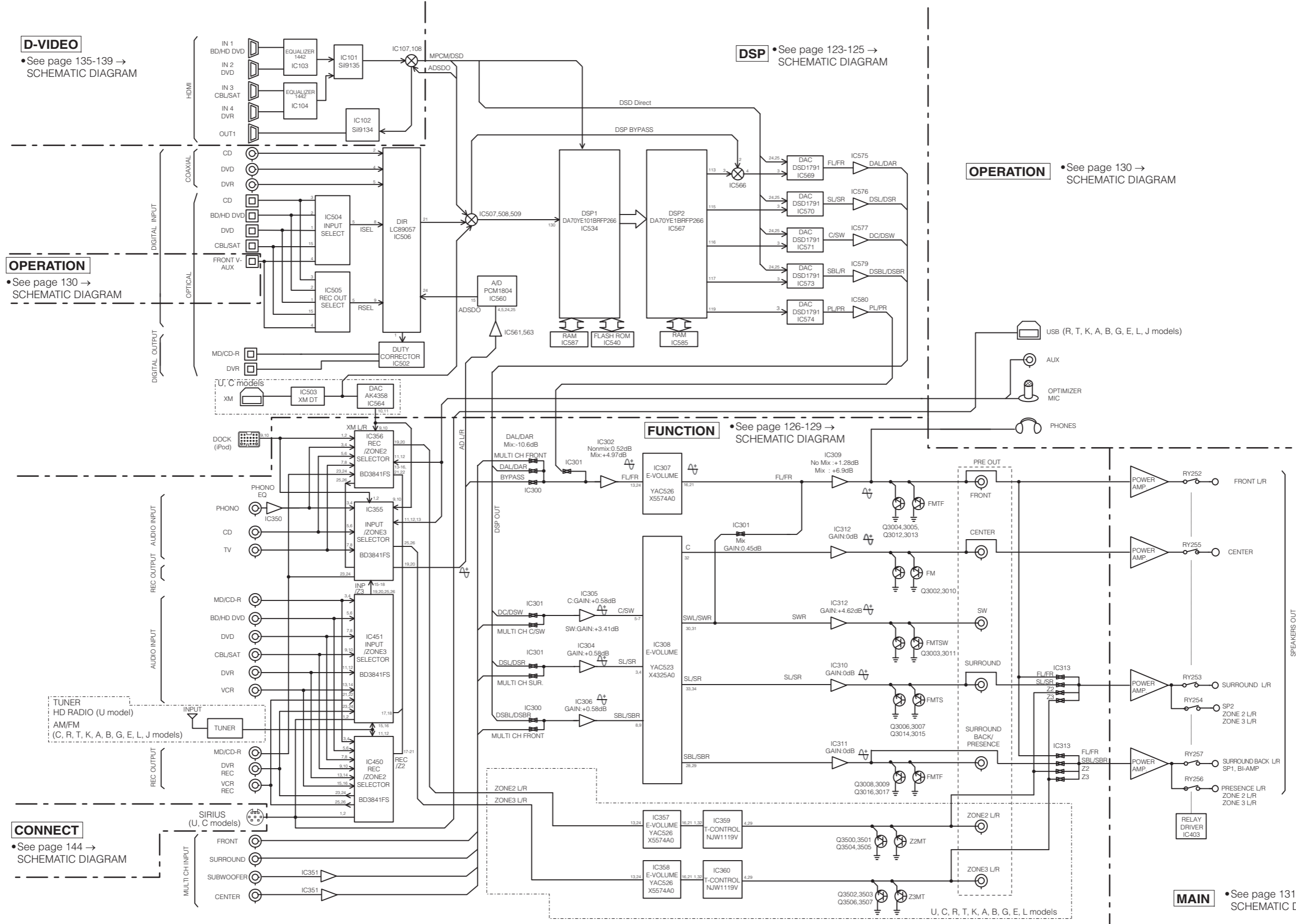
**DSP** • See page 123-125 →  
 SCHEMATIC DIAGRAM

**OPERATION** • See page 130 →  
 SCHEMATIC DIAGRAM

**FUNCTION** • See page 126-129 →  
 SCHEMATIC DIAGRAM

**CONNECT**  
 • See page 144 →  
 SCHEMATIC DIAGRAM

**MAIN** • See page 131 →  
 SCHEMATIC DIAGRAM



# VIDEO SECTION BLOCK DIAGRAM

## A-VIDEO

• See page 133, 134 → SCHEMATIC DIAGRAM

## D-VIDEO

• See page 135-139 → SCHEMATIC DIAGRAM

## OPERATION

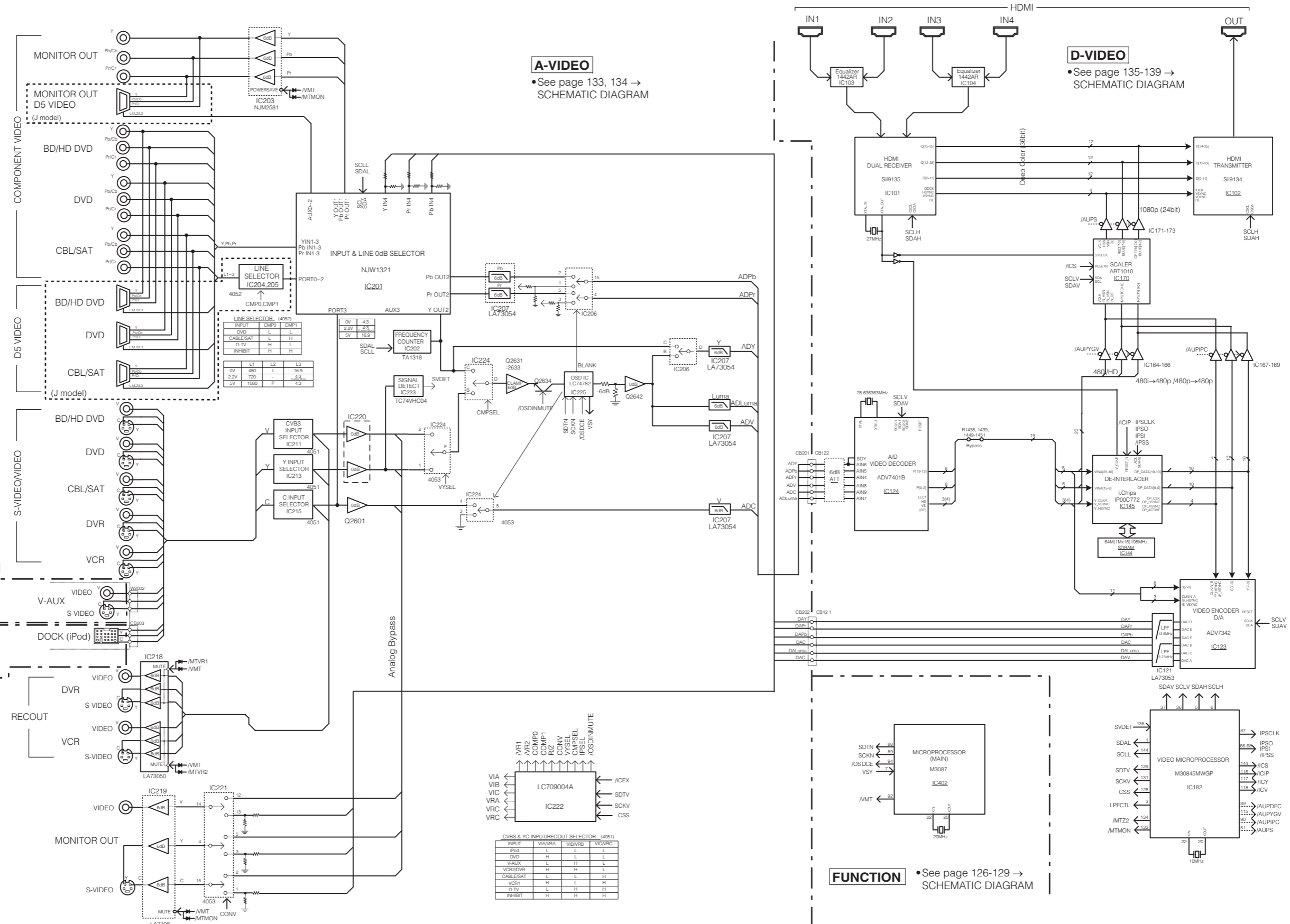
• See page 130 → SCHEMATIC DIAGRAM

## DSP

• See page 123-125 → SCHEMATIC DIAGRAM

## FUNCTION

• See page 126-129 → SCHEMATIC DIAGRAM



LINE SELECTOR (4052)

INPUT	COMP1	COMP2
DVD	L	L
CABLE/SAT	L	H
D-TV	H	L
INHIBIT	H	H

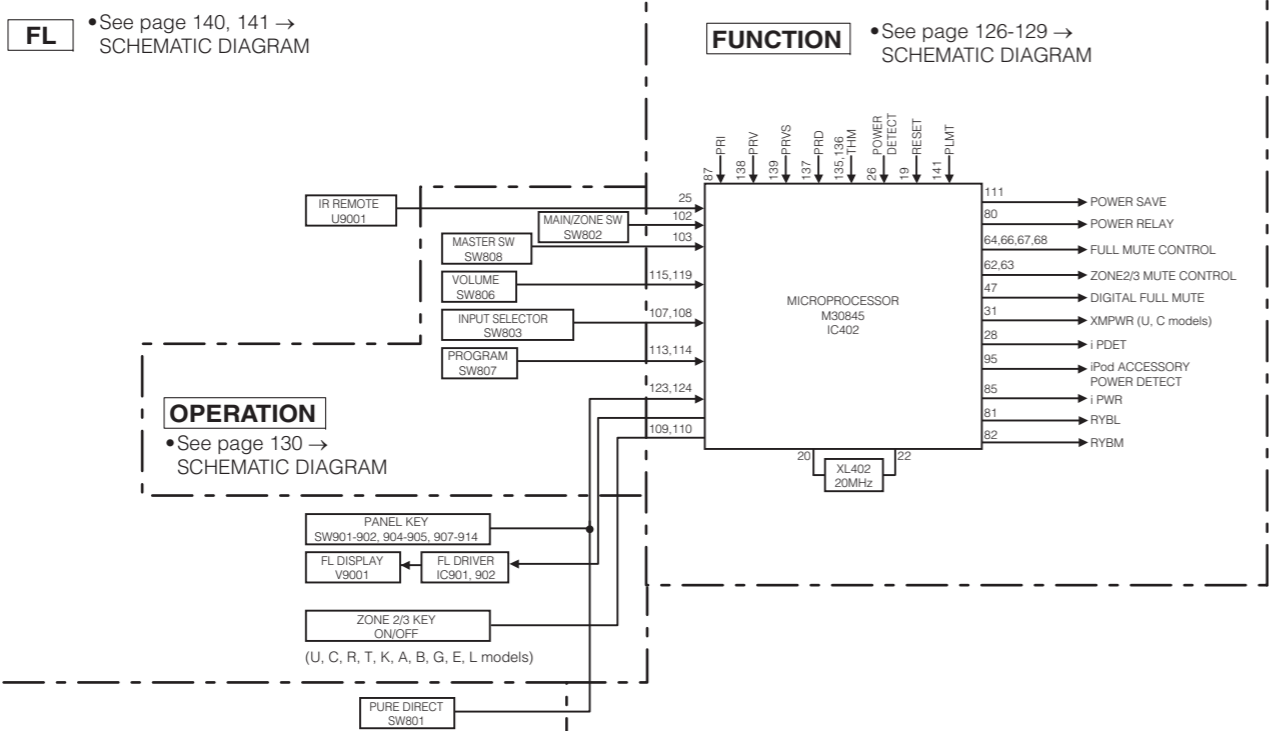
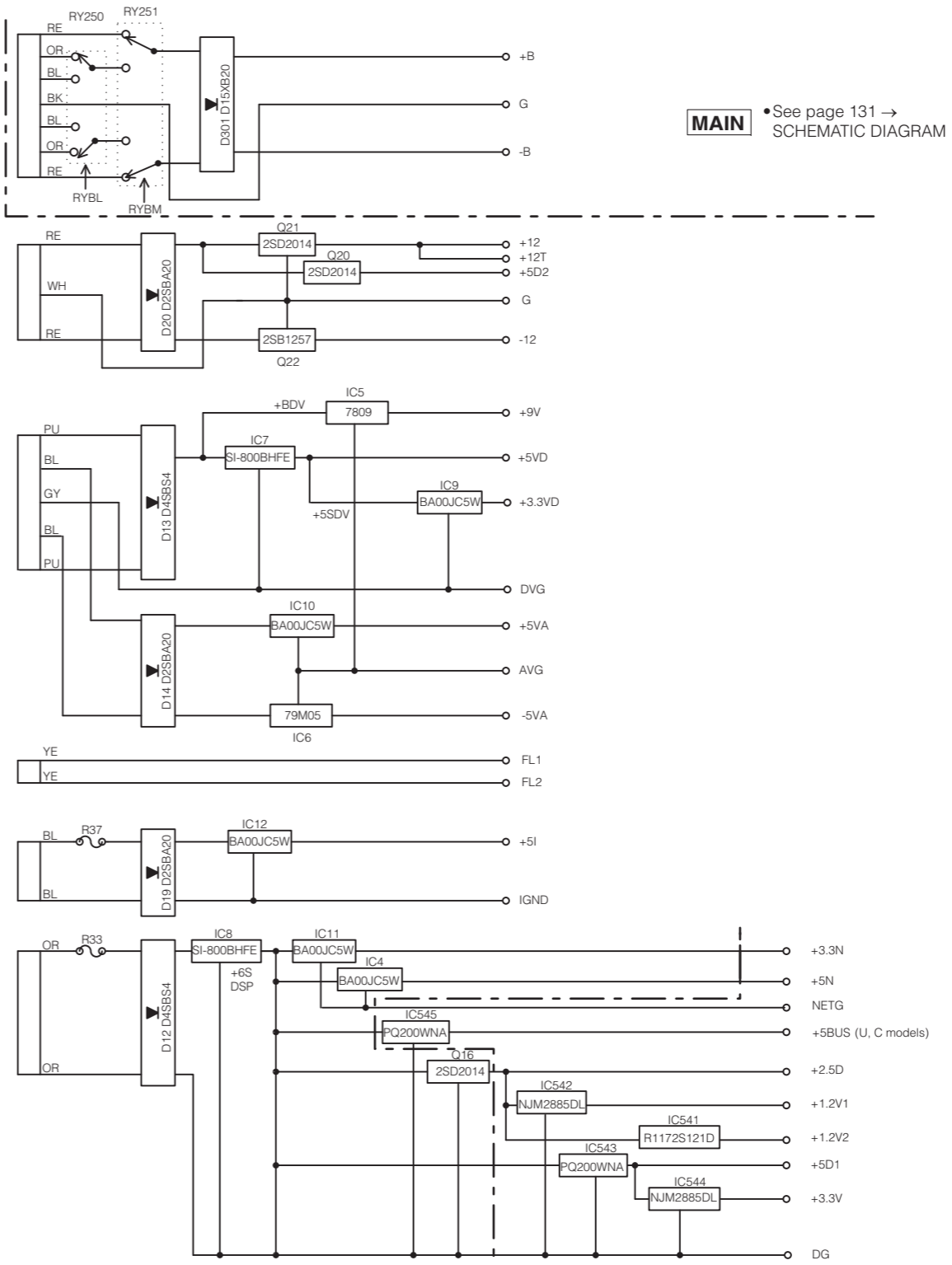
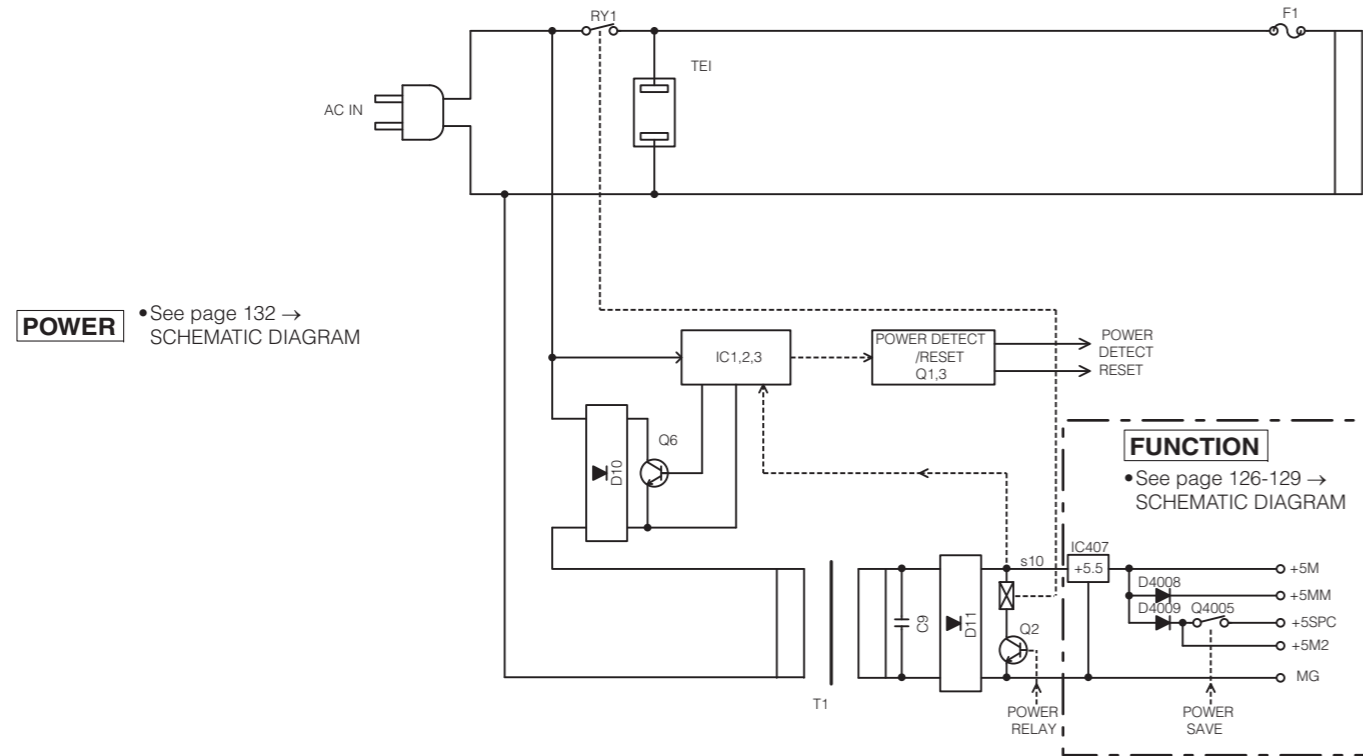
L1	L2	L3
DW	80	16.9
Z.VY	120	4.3
SV	100	4.3

CVBS & YC INPUT/RECOULT SELECTOR (4051)

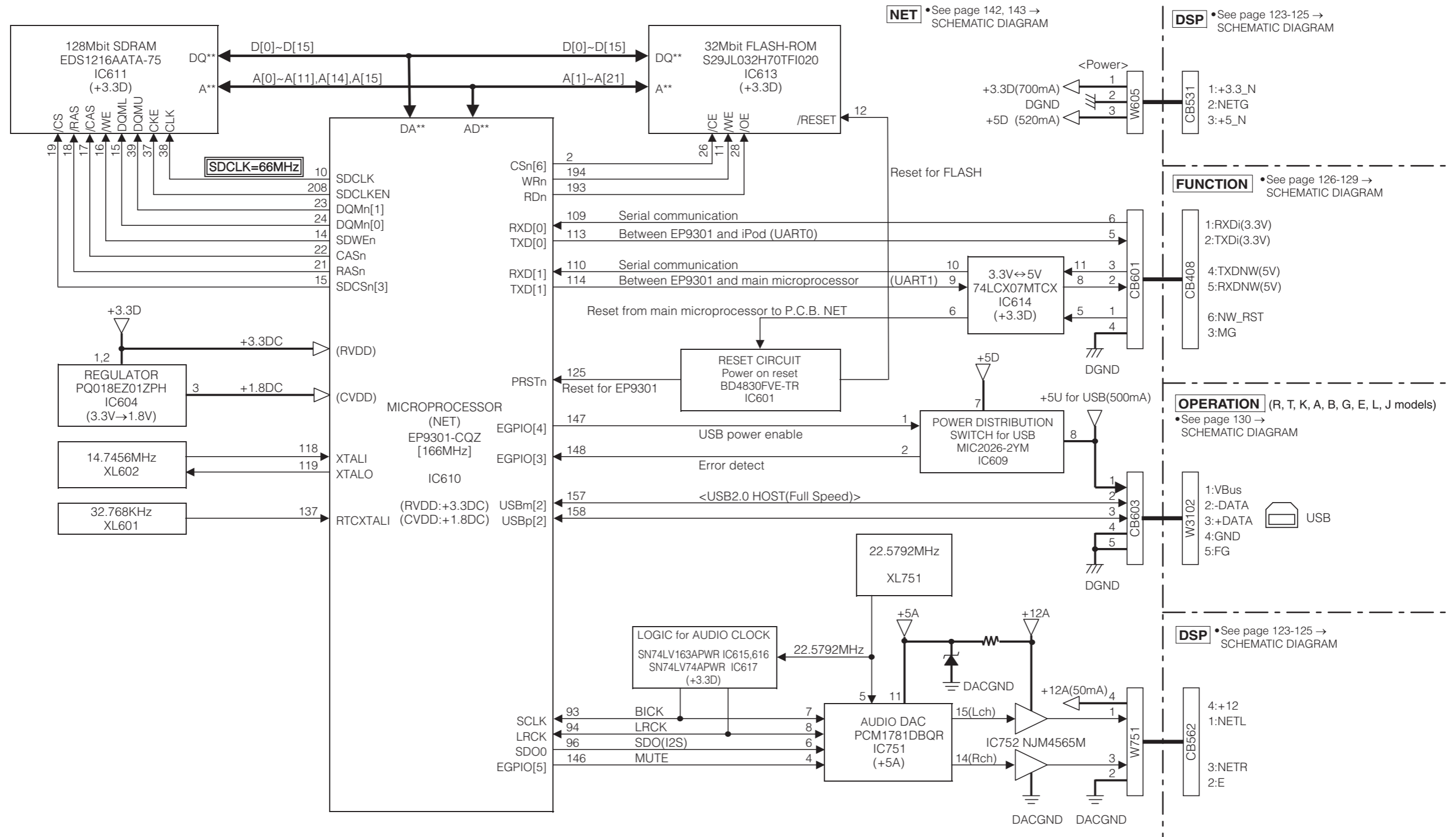
INPUT	VIA/VRA	VIB/VRB	VIC/VRC
IPod	L	L	L
DVD	H	L	L
V-AUX	L	H	L
VCR/DVR	H	H	L
CABLE/SAT	L	L	H
VCR1	H	L	H
D-TV	L	H	H
INHIBIT	H	H	H

### CONTROL/POWER SECTION BLOCK DIAGRAM

POWER TRANSFORMER



### NET SECTION BLOCK DIAGRAM (R, T, K, A, B, G, E, L, J models)



SCHEMATIC DIAGRAMS  
DSP 1/3

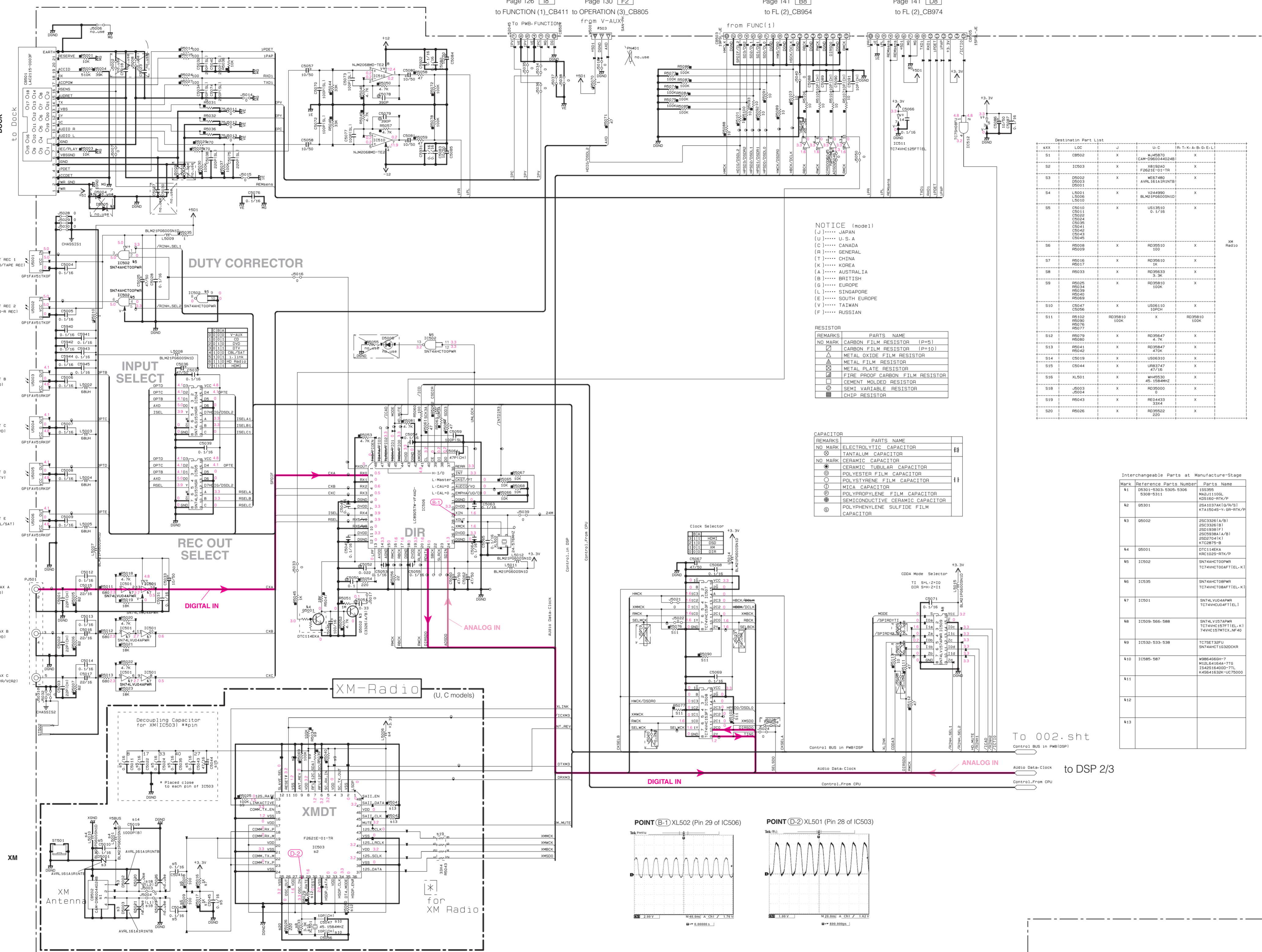
Page 126 [18] Page 130 [F2] Page 141 [B8] Page 141 [D8]  
to FUNCTION (1)\_CB411 to OPERATION (3)\_CB805 to FL (2)\_CB954 to FL (2)\_CB974

No replacement part available.  
代替部品供給なし

DIGITAL OUTPUT

DIGITAL INPUT

COAXIAL



NOTICE (mode1)  
(J)..... JAPAN  
(U)..... U.S.A  
(C)..... CANADA  
(B)..... GENERAL  
(T)..... CHINA  
(K)..... KOREA  
(A)..... AUSTRALIA  
(S)..... BRITISH  
(G)..... EUROPE  
(L)..... SINGAPORE  
(E)..... SOUTH EUROPE  
(V)..... TAIWAN  
(F)..... RUSSIAN

RESISTOR

REMARKS	PARTS NAME
NO MARK	CARBON FILM RESISTOR [P=5]
□	CARBON FILM RESISTOR [P=10]
△	METAL OXIDE FILM RESISTOR
▲	METAL FILM RESISTOR
○	METAL PLATE RESISTOR
●	FIRE PROOF CARBON FILM RESISTOR
◻	CEMENT MOLDED RESISTOR
◊	SEMI VARIABLE RESISTOR
■	CHIP RESISTOR

CAPACITOR

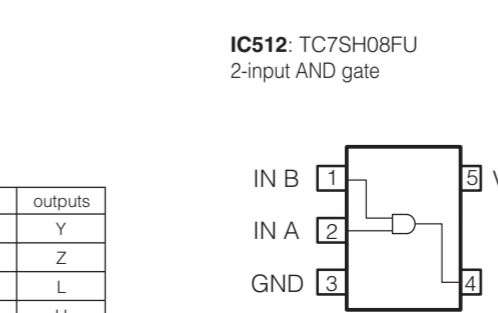
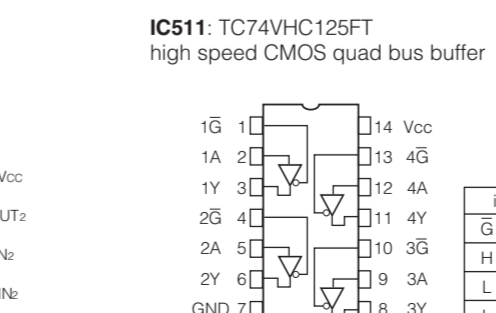
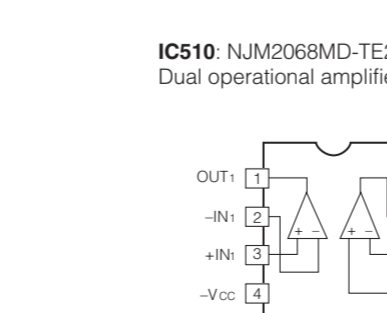
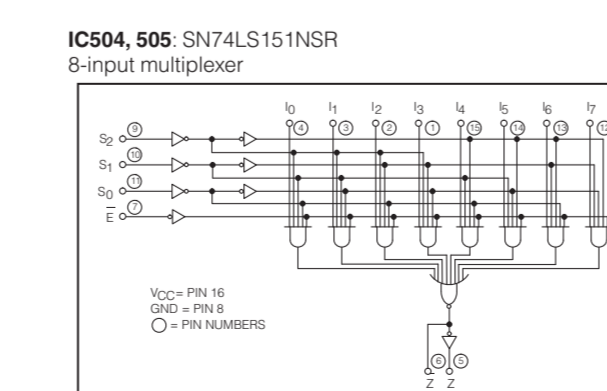
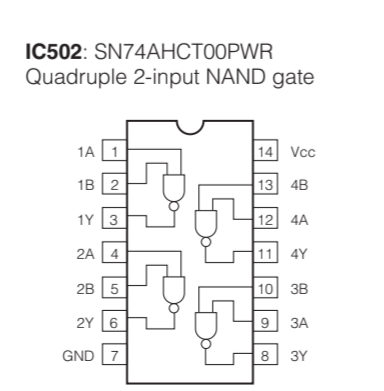
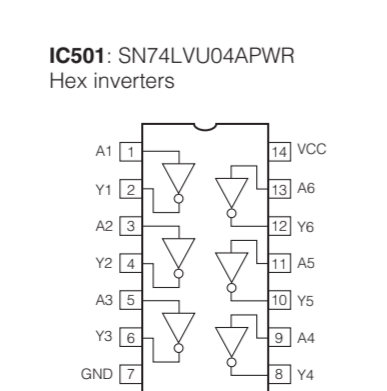
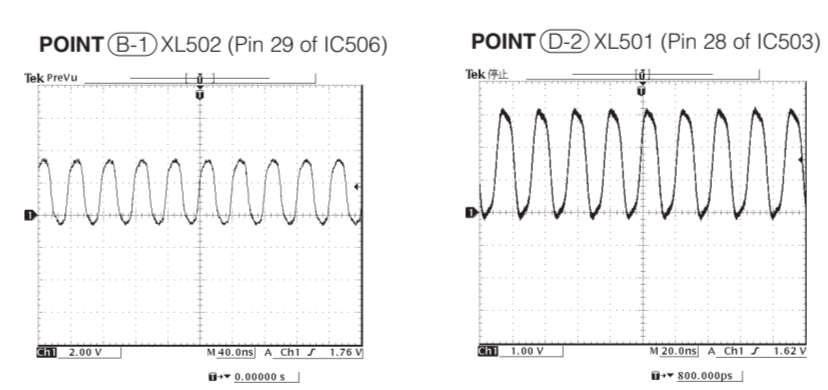
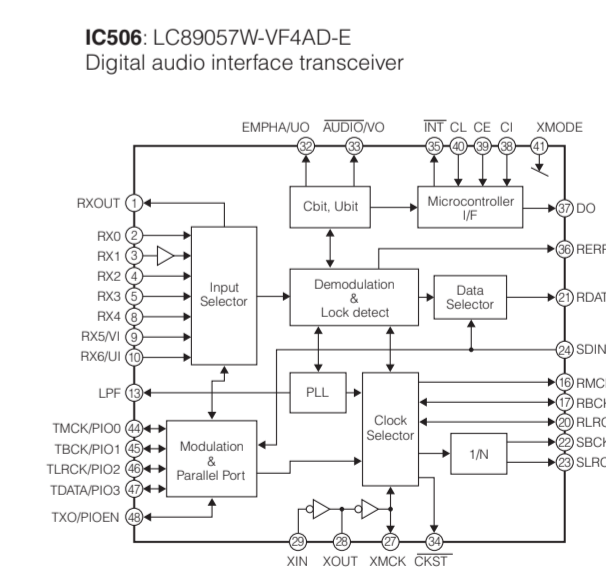
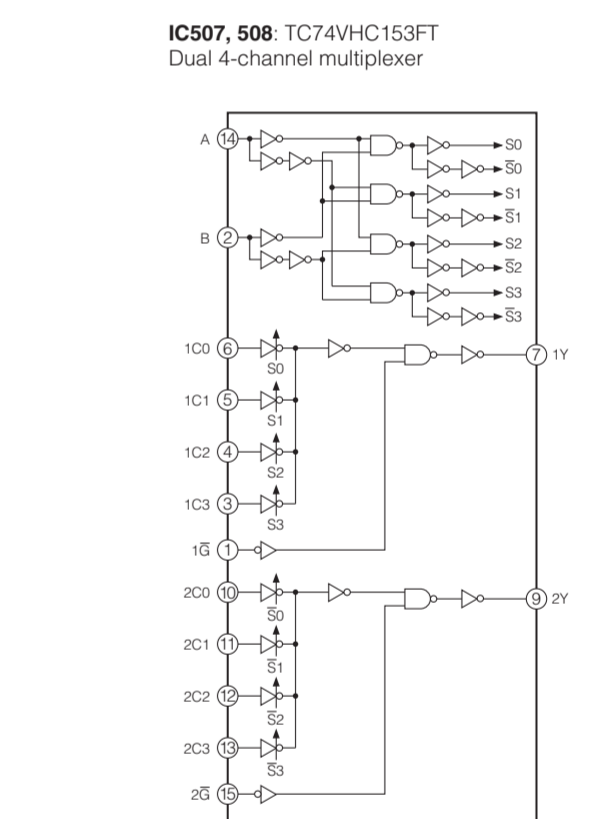
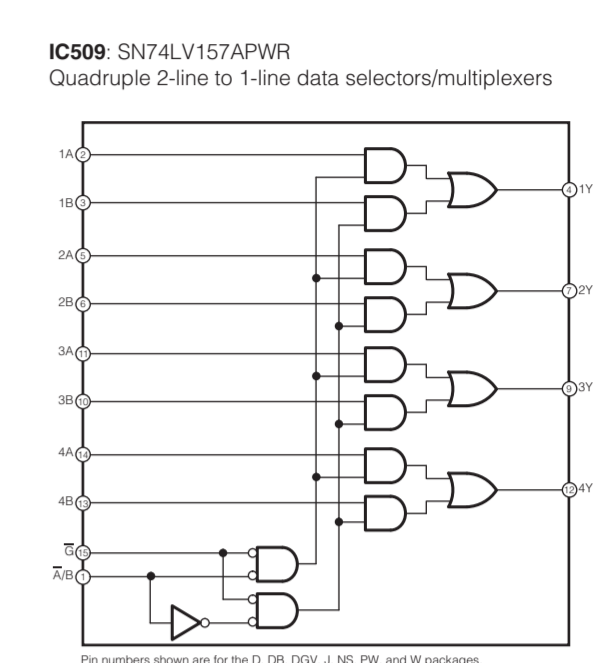
REMARKS	PARTS NAME
NO MARK	ELECTROLYTIC CAPACITOR
□	TANTALUM CAPACITOR
○	CERAMIC TUBULAR CAPACITOR
●	POLYESTER FILM CAPACITOR
○	POLYSTYRENE FILM CAPACITOR
○	MICA CAPACITOR
○	POLYPROPYLENE FILM CAPACITOR
○	SEMICONDUCTIVE CERAMIC CAPACITOR
○	POLYPHENE SULFIDE FILM CAPACITOR

Destination Part List

MARK	LOC	J	U-C	IB-T-K-A-B-G-E-L
S1	CB02	X	M4859	X
S2	IC03	X	MB1940	X
S3	CB02	X	MB1940	X
S4	CB02	X	MB1940	X
S5	CB02	X	MB1940	X
S6	CB02	X	MB1940	X
S7	CB02	X	MB1940	X
S8	CB02	X	MB1940	X
S9	CB02	X	MB1940	X
S10	CB02	X	MB1940	X
S11	CB02	X	MB1940	X
S12	CB02	X	MB1940	X
S13	CB02	X	MB1940	X
S14	CB02	X	MB1940	X
S15	CB02	X	MB1940	X
S16	CB02	X	MB1940	X
S17	CB02	X	MB1940	X
S18	CB02	X	MB1940	X
S19	CB02	X	MB1940	X
S20	CB02	X	MB1940	X

Interchangeable Parts at Manufacture-Stage

Mark	Reference Parts Number	Parts Name
A1	05001-0303-5306	188399
A2	05001-0303-5306	M211100L
A3	05001	K05180-RTK/P
A4	05002	SSC3308(A/B)
A5	05001	SSC3308(B)
A6	05001	SSC3308(C)
A7	05001	SSC3308(D)
A8	05001	SSC3308(E)
A9	05001	SSC3308(F)
A10	05001	SSC3308(G)
A11	05001	SSC3308(H)
A12	05001	SSC3308(I)
A13	05001	SSC3308(J)
A14	05001	SSC3308(K)
A15	05001	SSC3308(L)
A16	05001	SSC3308(M)
A17	05001	SSC3308(N)
A18	05001	SSC3308(O)
A19	05001	SSC3308(P)
A20	05001	SSC3308(Q)
A21	05001	SSC3308(R)
A22	05001	SSC3308(S)
A23	05001	SSC3308(T)
A24	05001	SSC3308(U)
A25	05001	SSC3308(V)
A26	05001	SSC3308(W)
A27	05001	SSC3308(X)
A28	05001	SSC3308(Y)
A29	05001	SSC3308(Z)
A30	05001	SSC3308



★ All voltages are measured with a 10MQ/V DC electronic voltmeter.  
★ Components having special characteristics are marked with a triangle and must be replaced with parts having specifications equal to those originally installed.  
★ Schematic diagram is subject to change without notice.

● 電圧は、内部抵抗10MQの電圧計で測定したものです。  
● 印のある部品は、安全性確保部品を示しています。部品の交換が必要な場合、パーツリストに記載されている部品を使用してください。  
● 本回路図は標準回路図です。改良のため予告なく変更することがございます。

DSP 2/3

NOTICE (model)
(U) JAPAN
(U) U.S.A
(C) CANADA
(A) GENERAL
(T) CHINA
(K) KOREA
(A) AUSTRALIA
(B) BRITISH
(G) EUROPE
(L) SINGAPORE
(E) SOUTH
(V) TAIWAN
(F) RUSSIAN

Table with 2 columns: CAPACITOR, PARTS NAME. Lists various capacitor types like electrolytic, tantalum, ceramic, polyester, etc.

Table with 2 columns: RESISTOR, PARTS NAME. Lists various resistor types like carbon film, metal oxide film, metal plate, etc.

To/From 001.sht

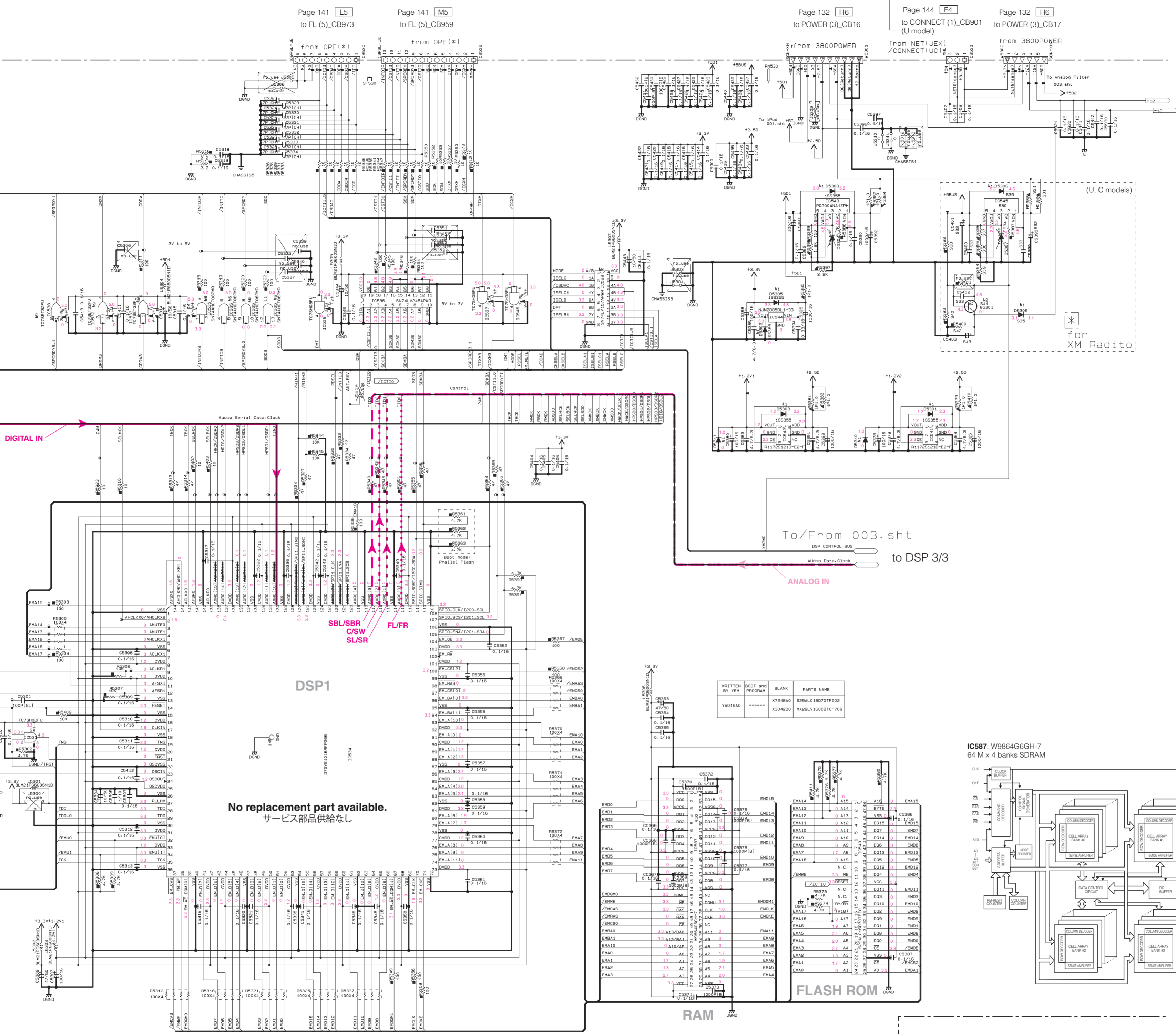
to DSP 1/3

Control BUS in PMB(DSP)

AUDIO Data-Clock

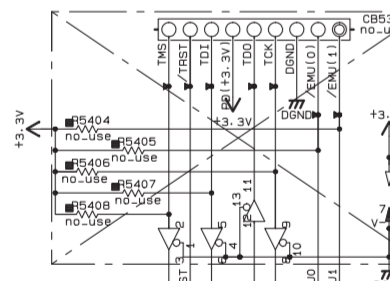
Control From CPU

ANALOG IN



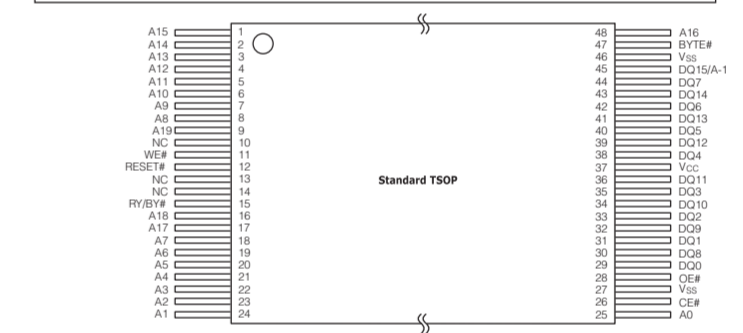
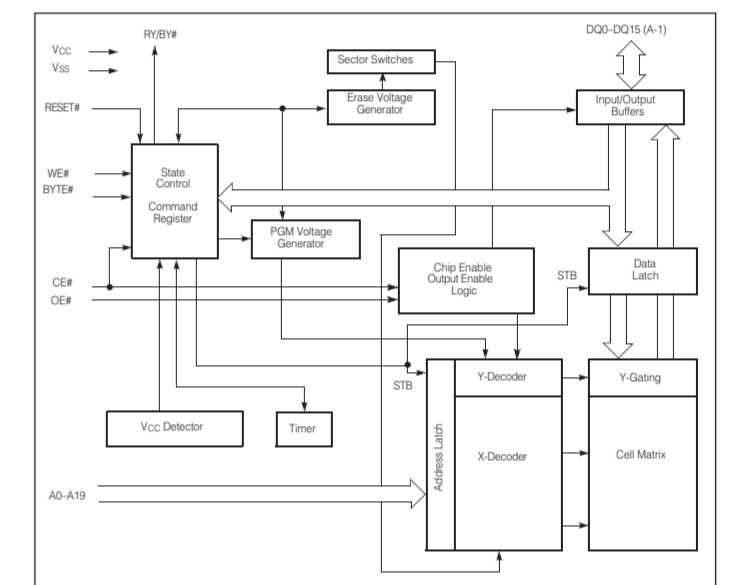
No replacement part available. サービス部品供給なし

to DSP 3/3 To/From 003.sht

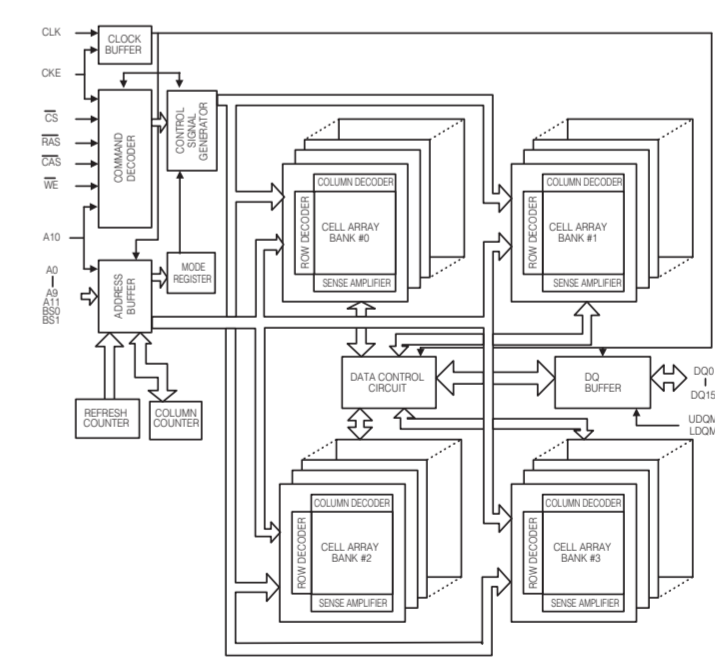


Destination Part List table with columns: SXX, LOC, J, U-C, M, R, T, K, A, B, G, E, L. Lists various components and their locations.

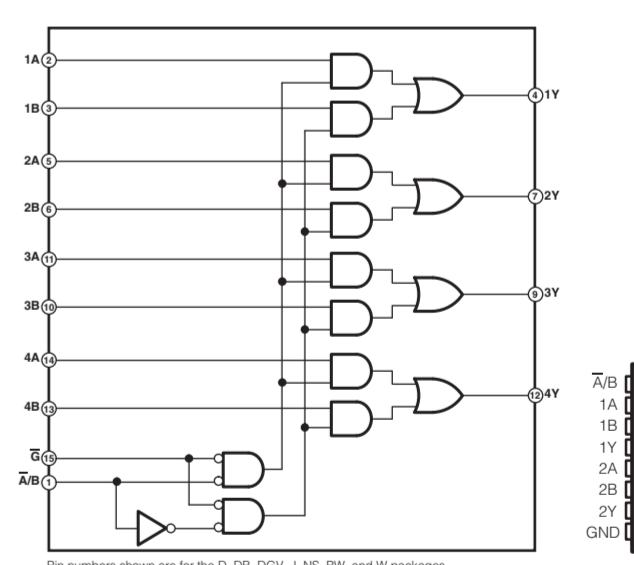
IC540: S29AL016D70TFI020 16-M-bits CMOS 3.0 volt-only boot sector flash memory



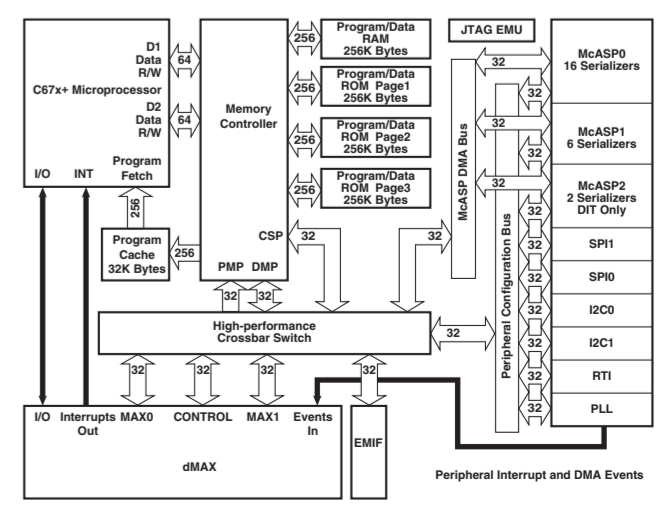
IC587: W9864G6GH-7 64 M x 4 banks SDRAM



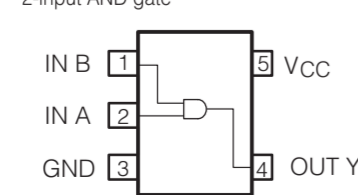
IC588: SN74LV157APWR Quaduple 2-line-to-1-line data selectors/multiplexers



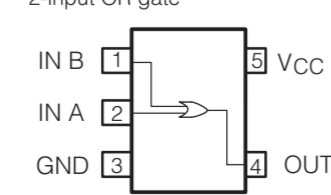
IC534: D70YE101BRFP266 Floating-point digital signal processors



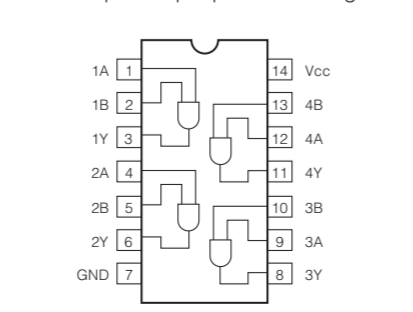
IC531, 537, 539, 546: TC7SH08FU 2-input AND gate



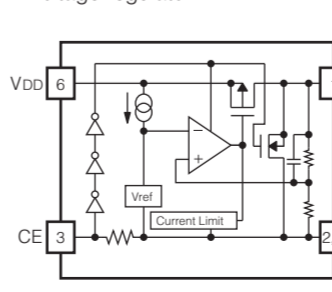
IC532, 533, 538: TC7SET32FU 2-input OR gate



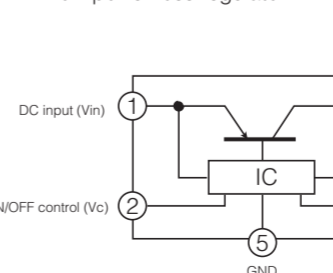
IC535: SN74AHCT08PWR Quaduple 2-input positive-AND gates



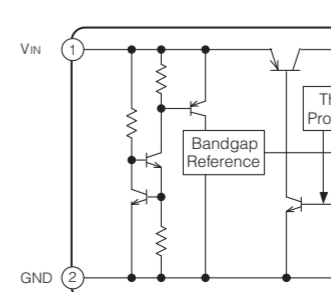
IC541, 542: R1172S121D-E2-F Voltage regulator



IC543, 545: PQ200WNA1ZPH Low power loss regulator



IC544: NJM2885DL1-33 Low dropout voltage regulator



All voltages are measured with a 10MΩ/V DC electronic voltmeter. Components having special characteristics are marked with a dot and must be replaced with parts having specifications equal to those originally installed. Schematic diagram is subject to change without notice.

電圧は、内部抵抗10MΩの電圧計で測定したものです。●印のある部品は、安全性確保部品を示しています。部品の交換が必要な場合、パーツリストに記載されている部品を使用してください。●本回路図は標準回路図です。改良のため予告なく変更することがございます。

Table with 3 columns: Pin No., Symbol, Description. Lists pin numbers and their functions for the voltage regulator.

DSP 3/3

CAPACITOR

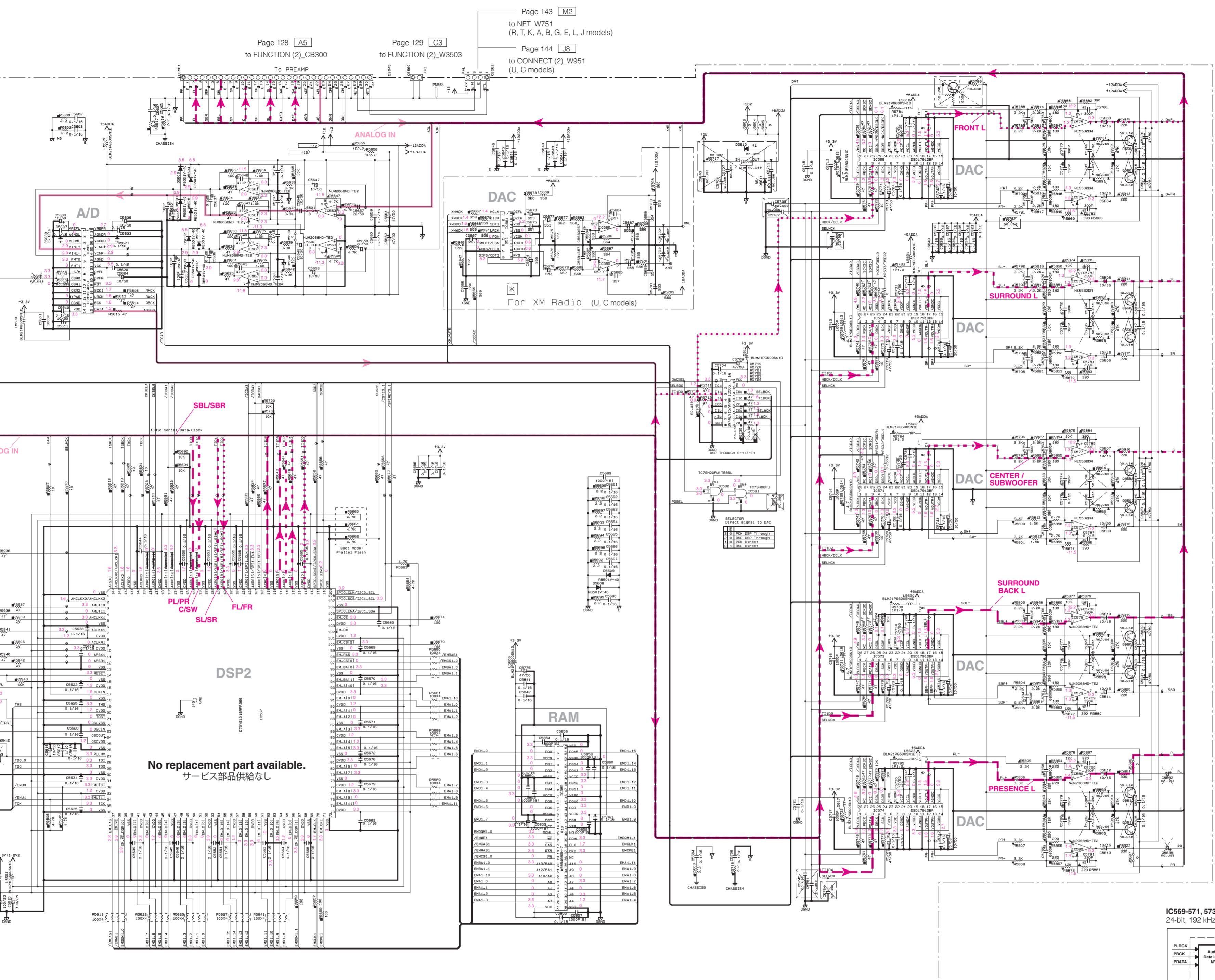
REMARKS	PARTS NAME
NO MARK	ELECTROLYTIC CAPACITOR
⊙	TANTALUM CAPACITOR
NO MARK	CERAMIC CAPACITOR
⊙	POLYESTER FILM CAPACITOR
○	POLYSTYRENE FILM CAPACITOR
⊙	MICA CAPACITOR
⊙	POLYPROPYLENE FILM CAPACITOR
⊙	SEMICONDUCTIVE CERAMIC CAPACITOR
⊙	POLYPHENYLENE SULFIDE FILM CAPACITOR

RESISTOR

REMARKS	PARTS NAME
NO MARK	CARBON FILM RESISTOR (P-R)
△	METAL OXIDE FILM RESISTOR
△	METAL FILM RESISTOR
△	METAL PLATE RESISTOR
□	FINE PORE CARBON FILM RESISTOR
□	CEMENT MOLDED RESISTOR
□	SEMI VARIABLE RESISTOR
■	CHIP RESISTOR

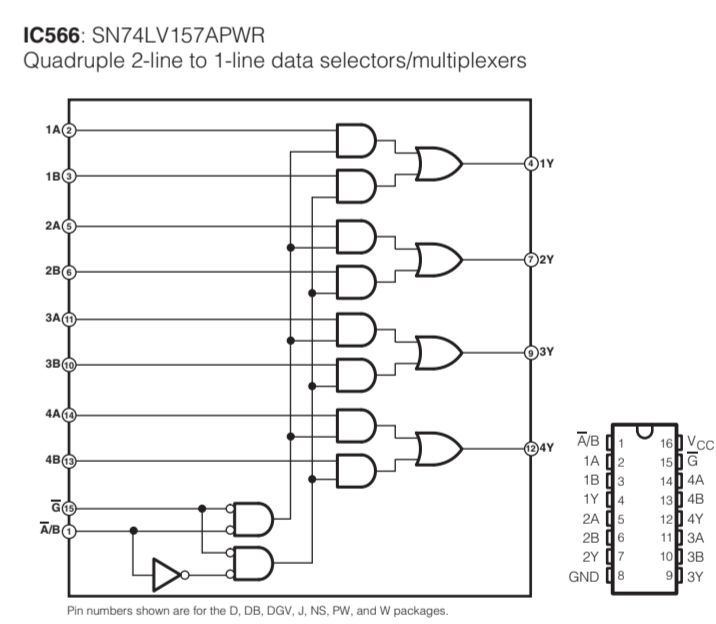
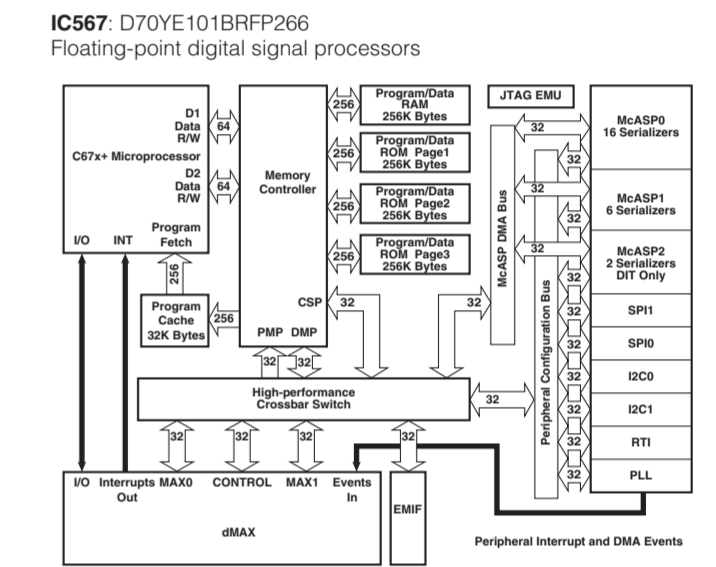
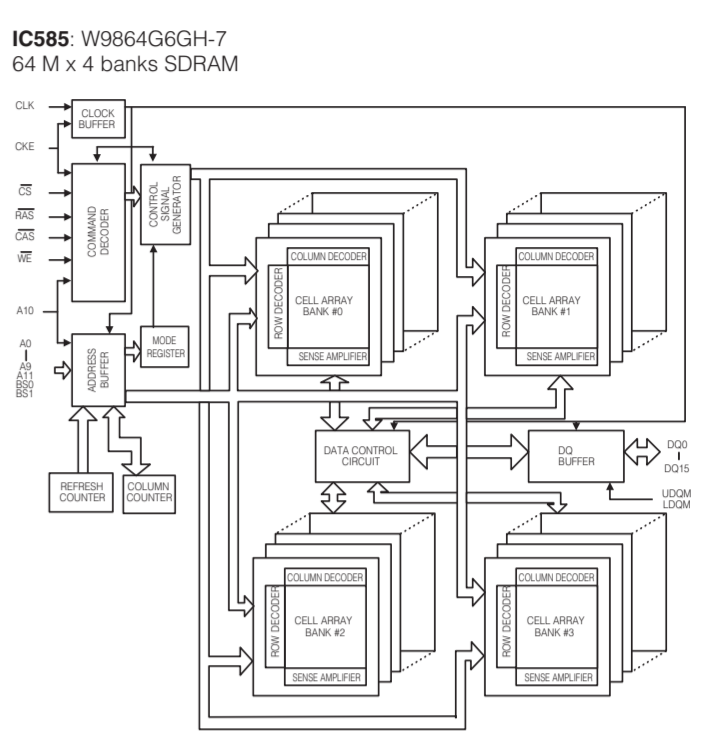
NOTICE (model)

(J)..... JAPAN  
 (U)..... U.S.A.  
 (C)..... CANADA  
 (R)..... GENERAL  
 (T)..... CHINA  
 (K)..... KOREA  
 (A)..... AUSTRALIA  
 (B)..... BRITISH  
 (E)..... EUROPE  
 (L)..... SINGAPORE  
 (S)..... SOUTH  
 (V)..... TAIWAN  
 (F)..... RUSSIAN



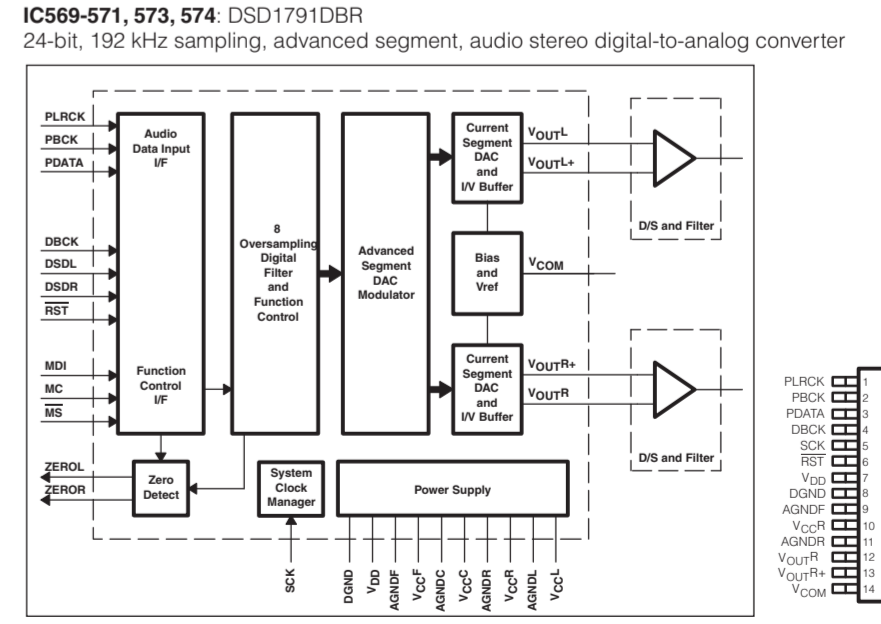
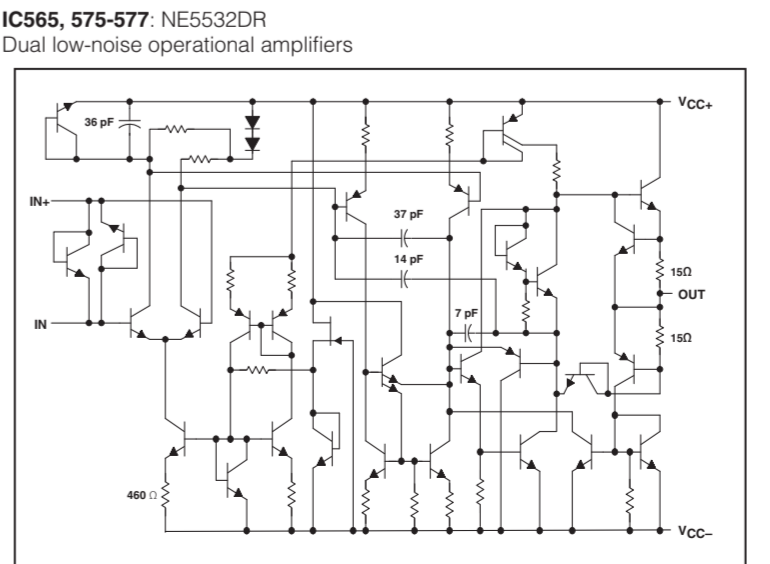
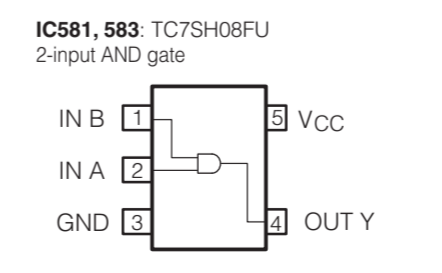
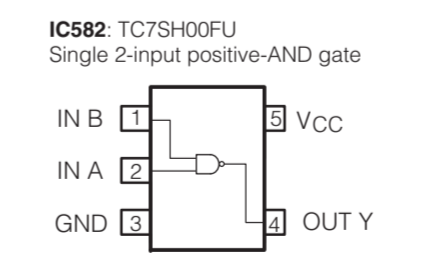
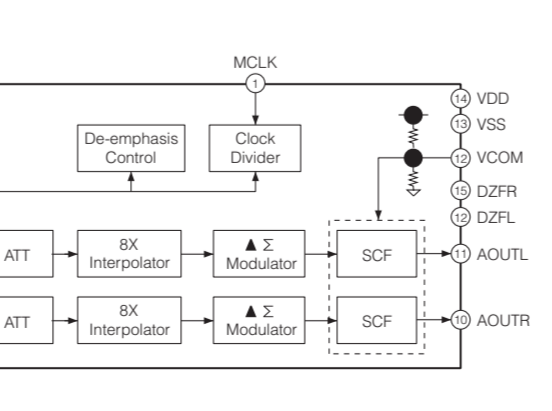
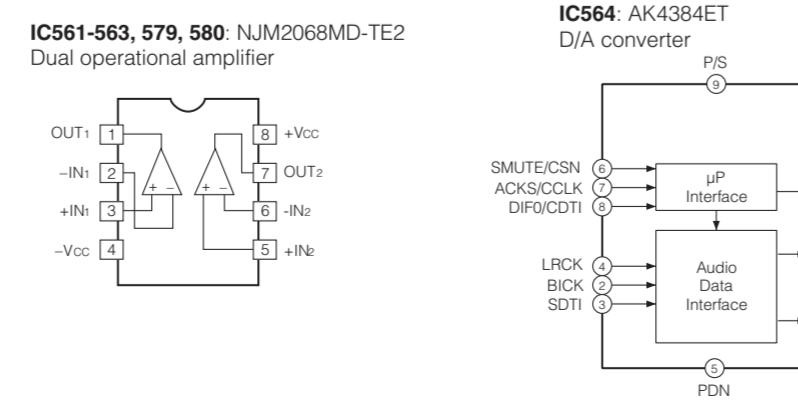
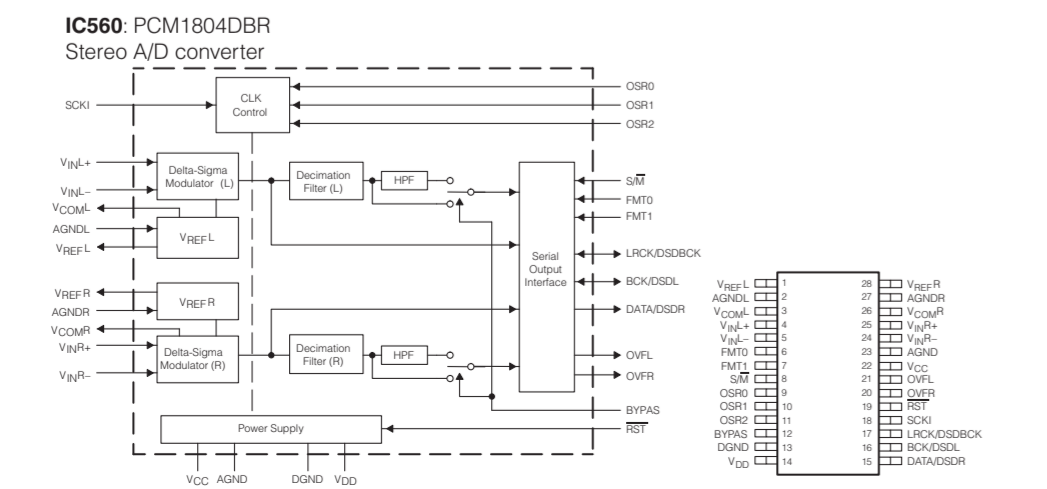
To From 002.sht  
 to DSP 2/3

to DSP 2/3  
 To From 002.sht



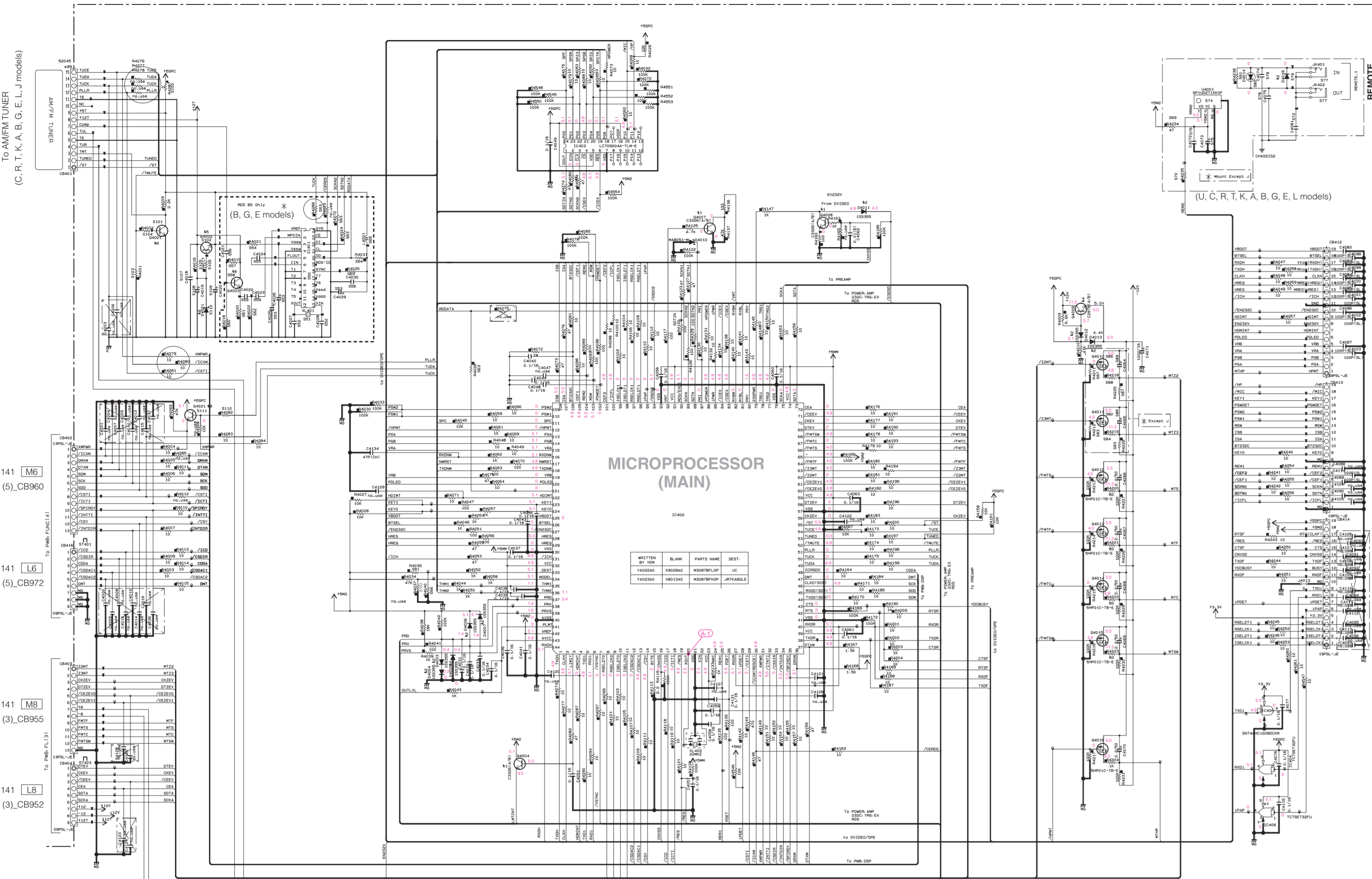
Destination Part List

NO	LOC	J	U-C	REVISION	REVISION
585	CS674	X	URD1710	X	
586	CS686	X	URD6410	X	
587	CS688	X	W30450	X	
588	LC809	X	Y21490	X	



- ★ All voltages are measured with a 10MΩ/V DC electronic voltmeter.
- ★ Components having special characteristics are marked with a triangle (▲) and must be replaced with parts having specifications equal to those originally installed.
- Schematic diagram is subject to change without notice.
- 電圧は、内部抵抗10MΩの電圧計で測定したものです。
- ▲印のある部品は、安全確保部品を示しています。部品の交換が必要な場合、パーツリストに記載されている部品を使用してください。
- 本回路図は標準回路図です。改良のため予告なく変更することがございます。

FUNCTION 1/4



To AM/FM TUNER  
(C, R, T, K, A, B, G, E, L, J models)

REMOTE  
(U, C, R, T, K, A, B, G, E, L models)

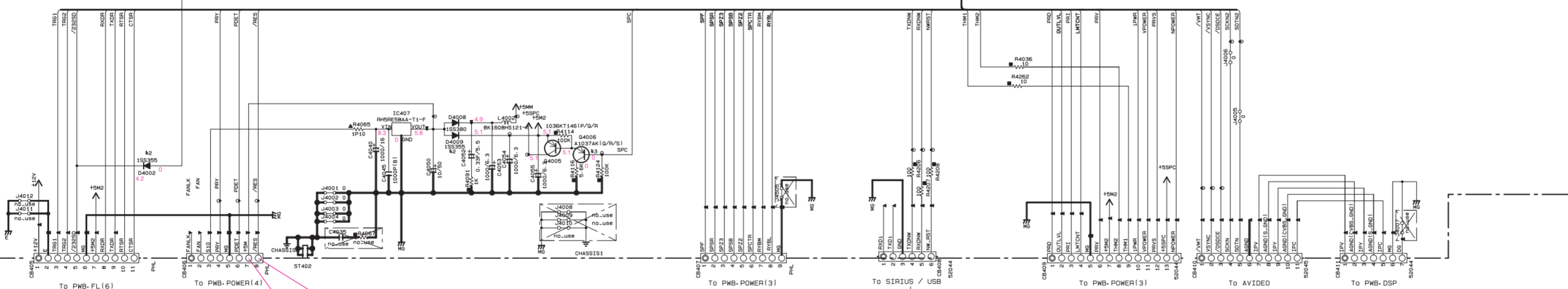
MICROPROCESSOR (MAIN)

WRITTEN BY	BLANK	PARTS NAME	DEST.
YASUDA	YASUDA	YASUDA	UC
YASUDA	YASUDA	YASUDA	YASUDA

FUNCTION (1)

RX-V1900

FUNC (1)



Page 140 [N3] to FL (6)\_W9501

Page 132 [I8] to POWER (4)\_W1

Page 132 [E1] to POWER (3)\_W9

Page 132 [H7] to POWER (3)\_CB18

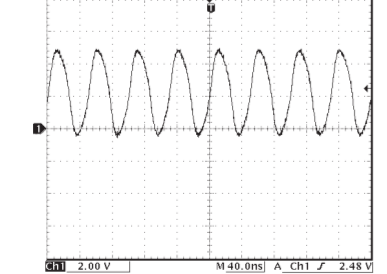
Page 134 [I2] to A-VIDEO\_CB203

Page 123 [F1] to DSP\_CB504

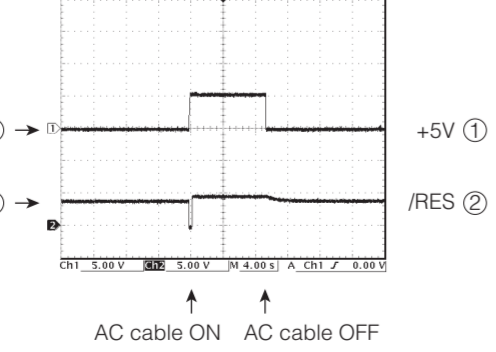
Page 142 [A7] to NET\_CB601 (R, T, K, A, B, G, E, L, J models)

Page 144 [H8] to CONNECT (2)\_CB952 (U, C models)

POINT (A-1) XL402 (Pin 20 of IC402)



POINT (A-2) (A-3) ① Pin7, ② Pin8 of CB406



★ All voltages are measured with a 10MΩ/V DC electronic voltmeter.  
★ Components having special characteristics are marked with a star and must be replaced with parts having specifications equal to those originally installed.  
★ Schematic diagram is subject to change without notice.

● 電圧は、内部抵抗10MΩの電圧計で測定したものです。  
● \*印のある部品は、安全性確保部品を示しています。部品の交換が必要な場合、パーツリストに記載されている部品を使用してください。  
● 本回路図は標準回路図です。改良のため予告なく変更することがございます。

Destination Part List

MARK	LOC	QTY	U	C	R	T	K	A	B	G	E	L	J	HTR-6290
949	LOC	J	U	C	R	T	K	A	B	G	E	L	J	HTR-6290
950	LOC	J	U	C	R	T	K	A	B	G	E	L	J	HTR-6290

Page 141 [D7] to FL (2)\_CB958

Page 141 [F7] to FL (2)\_CB962

Page 141 [H7] to FL (2)\_CB969

Page 141 [H7] to FL (2)\_CB969

Page 141 [H7] to FL (2)\_CB969

Page 141 [H7] to FL (2)\_CB969

Page 141 [H7] to FL (2)\_CB969

Page 141 [H7] to FL (2)\_CB969

Page 141 [H7] to FL (2)\_CB969

Page 141 [H7] to FL (2)\_CB969

Page 141 [H7] to FL (2)\_CB969

Interchangeable Parts at Manufacture Stage

MARK	Reference Part Number	Parts Name
949	LOC	J
950	LOC	J

RESISTOR PARTS NAME

MARK	RESISTOR PARTS NAME
NO MARK	CARBON FILM RESISTOR (PWS)
NO MARK	TANTALUM CAPACITOR (PWS)
NO MARK	METAL OXIDE FILM RESISTOR
NO MARK	CERAMIC TUNABLE CAPACITOR
NO MARK	POLYESTER FILM CAPACITOR
NO MARK	POLYPROPYLENE FILM CAPACITOR
NO MARK	MICA CAPACITOR
NO MARK	SEMIVARIABLE RESISTOR
NO MARK	CHIP RESISTOR

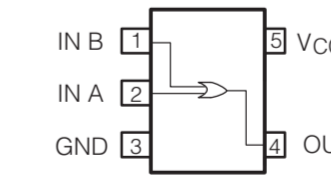
CAPACITOR PARTS NAME

MARK	CAPACITOR PARTS NAME
NO MARK	ELECTROLYTIC CAPACITOR
NO MARK	TANTALUM CAPACITOR
NO MARK	METAL OXIDE FILM CAPACITOR
NO MARK	CERAMIC TUNABLE CAPACITOR
NO MARK	POLYESTER FILM CAPACITOR
NO MARK	POLYPROPYLENE FILM CAPACITOR
NO MARK	MICA CAPACITOR
NO MARK	SEMIVARIABLE RESISTOR
NO MARK	CHIP RESISTOR

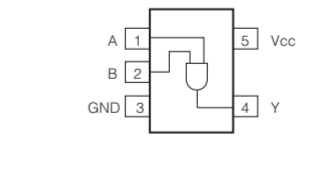
NOTICE (continued)

(J) JAPAN  
(U) U.S.A.  
(C) CANADA  
(G) GENERAL  
(T) CHINA  
(K) KOREA  
(A) AUSTRALIA  
(B) BRITISH  
(E) EUROPE  
(S) SINGAPORE  
(V) TAIWAN  
(F) RUSSIAN

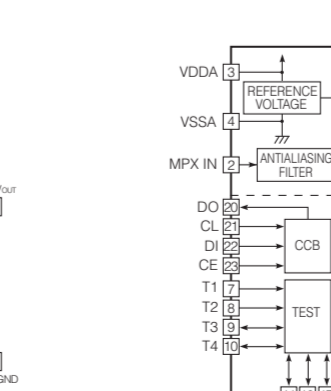
IC404: 406: TC7SET32FU  
2-input OR gate



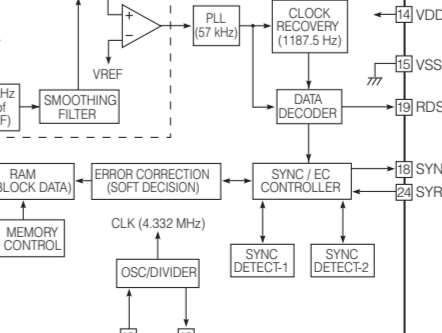
IC405: SN74HC1G08DCKR  
2-input positive-AND gate



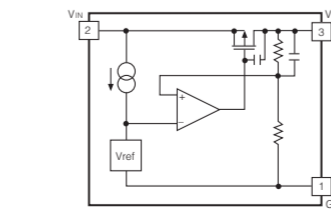
IC401: LC72722PM  
RDS signal processor



IC403: LC79004A-TLM-E  
I/O expander for microcontroller

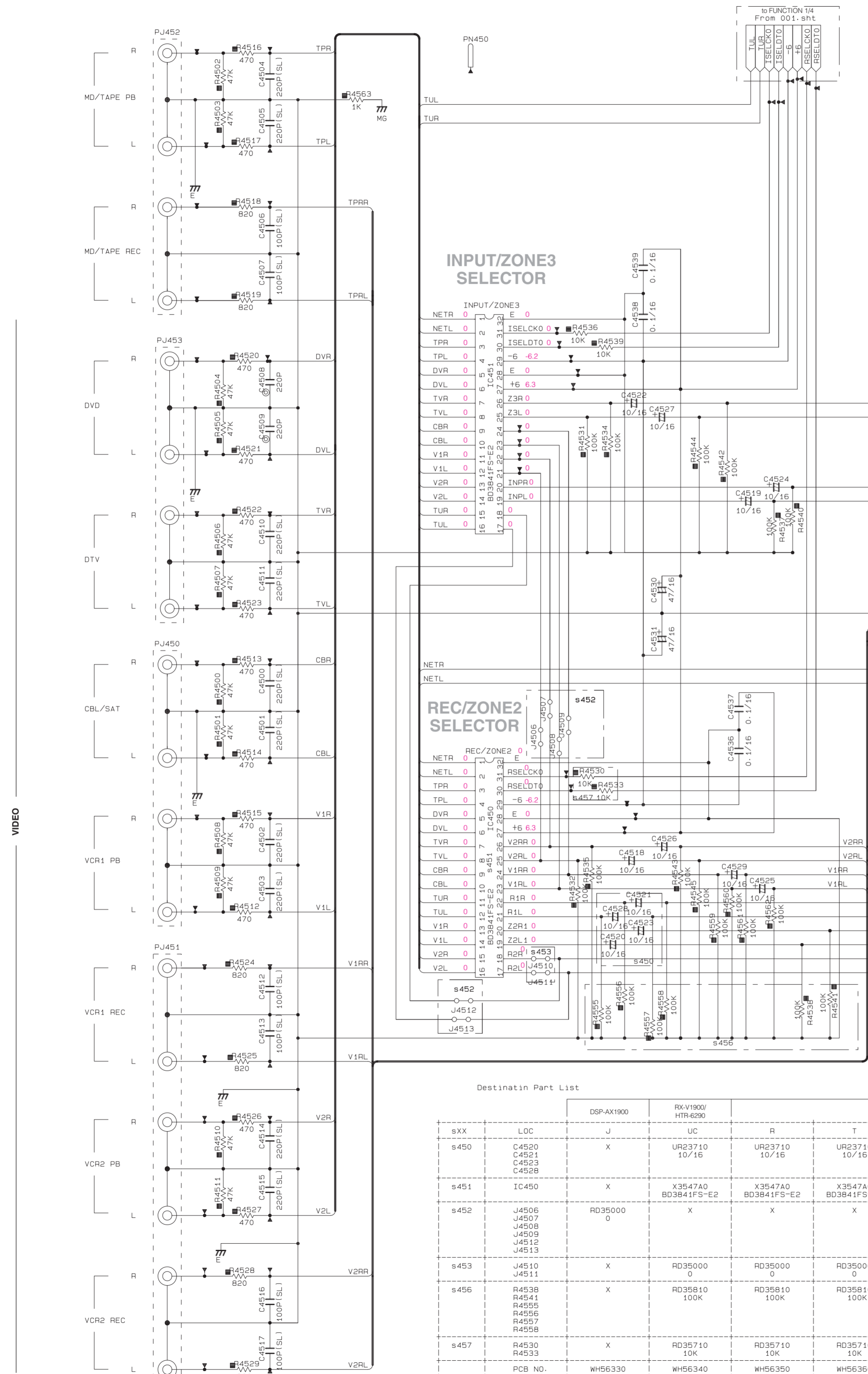


IC407: RH5RE8AA-T1-FA  
Voltage regulator





FUNCTION 2/4



RESISTOR

REMARKS	PARTS NAME
NO MARK	CARBON FILM RESISTOR (P=5)
□	CARBON FILM RESISTOR (P=10)
△	METAL OXIDE FILM RESISTOR
▲	METAL FILM RESISTOR
⊠	METAL PLATE RESISTOR
■	FIRE PROOF CARBON FILM RESISTOR
□	CEMENT MOLDED RESISTOR
⊗	SEMI VARIABLE RESISTOR
■	CHIP RESISTOR

CAPACITOR

REMARKS	PARTS NAME
NO MARK	ELECTROLYTIC CAPACITOR
⊗	TANTALUM CAPACITOR
NO MARK	CERAMIC CAPACITOR
●	CERAMIC TUBULAR CAPACITOR
⊙	POLYESTER FILM CAPACITOR
○	POLYSTYRENE FILM CAPACITOR
⊖	MICA CAPACITOR
⊕	POLYPROPYLENE FILM CAPACITOR
⊗	SEMICONDUCTIVE CERAMIC CAPACITOR
⊙	POLYPHENYLENE SULFIDE FILM CAPACITOR

NOTICE (model)

(J)..... JAPAN  
 (U)..... U. S. A  
 (C)..... CANADA  
 (R)..... GENERAL  
 (T)..... CHINA  
 (K)..... KOREA  
 (A)..... AUSTRALIA  
 (B)..... BRITISH  
 (G)..... EUROPE  
 (L)..... SINGAPORE  
 (E)..... SOUTH  
 (V)..... TAIWAN  
 (F)..... RUSSIAN

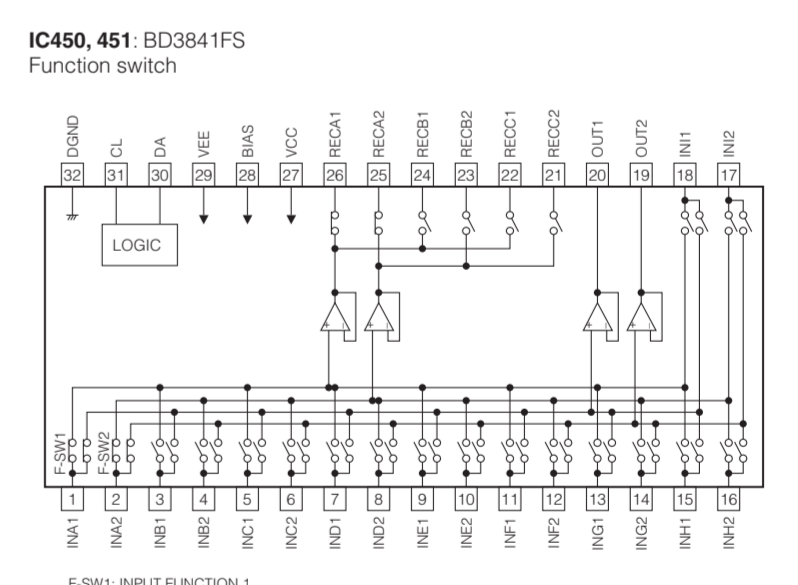
Page 141 M3  
to FL (4)\_CB965

FUNCTION (1)

Destination Part List

		DSP-AX1900	RX-V1900/ HTR-6290	RX-V1900	RX-V1900	RX-V1900/ HTR-6290	RX-V1900
sXX	LOC	J	UC	R	T	K	A
s450	C4520 C4521 C4523 C4528	X	UR23710 10/16	UR23710 10/16	UR23710 10/16	UR23710 10/16	UR23710 10/16
s451	IC450	X	X354740 BD3841FS-E2	X354740 BD3841FS-E2	X354740 BD3841FS-E2	X354740 BD3841FS-E2	X354740 BD3841FS-E2
s452	J4506 J4507 J4508 J4509 J4512 J4513	RD35000 0	X	X	X	X	X
s453	J4510 J4511	X	RD35000 0	RD35000 0	RD35000 0	RD35000 0	RD35000 0
s456	R4538 R4541 R4555 R4556 R4557 R4558	X	RD35810 100K	RD35810 100K	RD35810 100K	RD35810 100K	RD35810 100K
s457	R4530 R4533	X	RD35710 10K	RD35710 10K	RD35710 10K	RD35710 10K	RD35710 10K
PCB NO.		WH56330	WH56340	WH56350	WH56350	WH56370	WH56380
						WH56390	WH56400

J: Different selector composition



\* All voltages are measured with a 10MΩ/V DC electronic voltmeter.  
 \* Components having special characteristics are marked with a triangle and must be replaced with parts having specifications equal to those originally installed.  
 \* Schematic diagram is subject to change without notice.

● 電圧は、内部抵抗10MΩの電圧計で測定したものです。  
 ● 印のある部品は、安全性確保部品を示しています。部品の交換が必要な場合、パーツリストに記載されている部品を使用してください。  
 ● 本回路図は標準回路図です。改良のため予告なく変更することがございます。

FUNCTION 3/4

Page 125 [D1] to DSP\_CB561

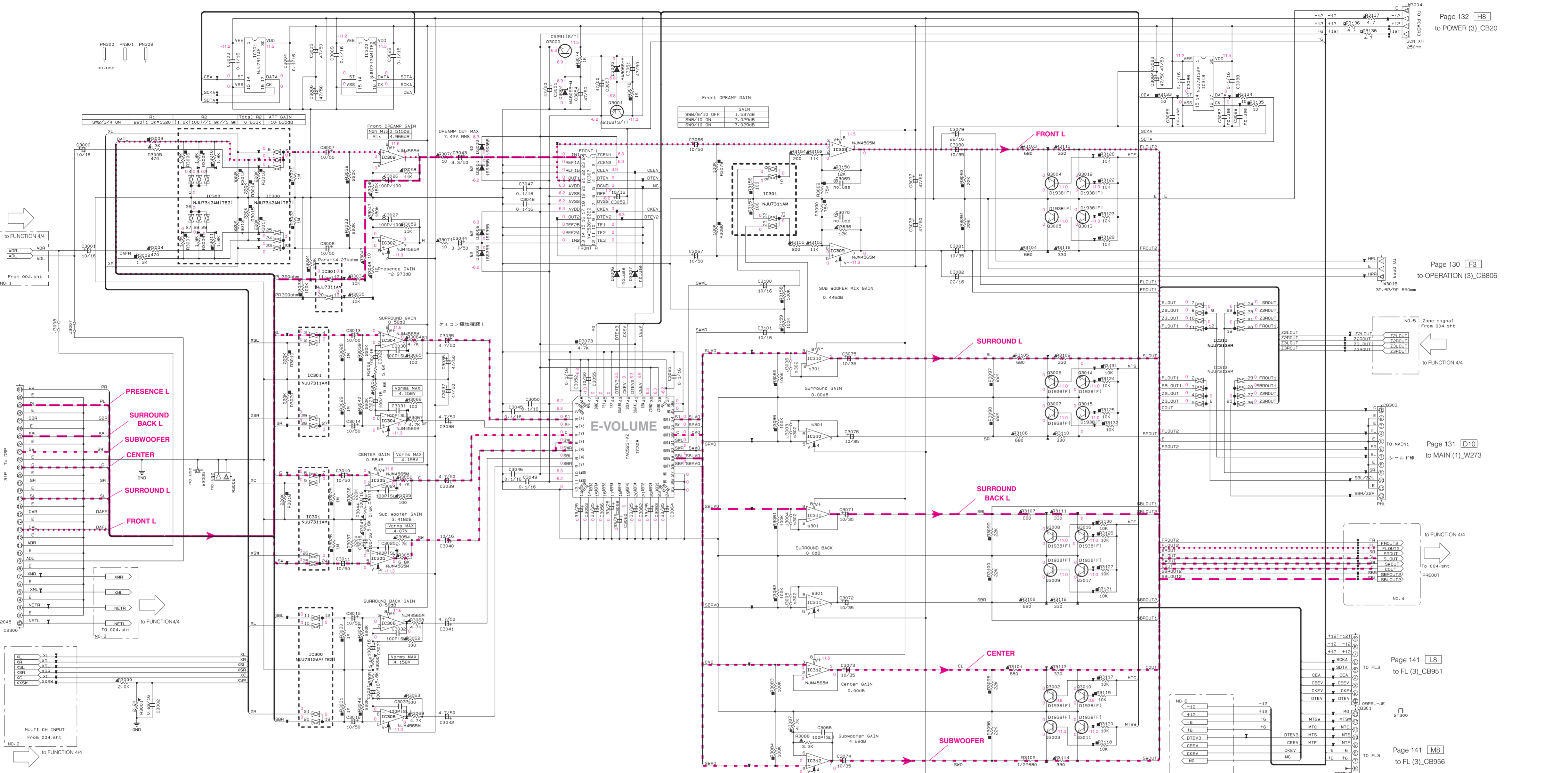
Page 132 [HB] to POWER (3)\_CB20

Page 130 [F3] to OPERATION (3)\_CB906

Page 131 [D10] to MAIN (1)\_W273

Page 141 [L8] to FL (3)\_CB951

Page 141 [M8] to FL (3)\_CB956



設計値 TOTAL 14dB

チャンネル	FRONT	CENTER	SURROUND	SURROUND BACK	SUB WOOFER	ZONE2 & ZONE3
設計値	0.0	12.5	1.5	14.0	0.0	0.0
調整値	0.0	14.0	0.0	14.0	0.0	0.0
実測値	0.0	14.0	0.0	14.0	0.0	0.0

MIX部 設計値 TOTAL 4.5dB

チャンネル	P MIX FRONT	P MIX SURROUND	SUB WOOFER MIX
設計値	4.5	3.0	0.0
調整値	4.5	3.0	0.0
実測値	4.5	3.0	0.0

RESISTOR PARTS NAME

NO MARK	CARBON FILM RESISTOR (P±5)
□	CARBON FILM RESISTOR (P±10)
△	METAL OXIDE FILM RESISTOR
◇	METAL FILM RESISTOR
○	METAL PLATE RESISTOR
⊠	FIRE PROOF CARBON FILM RESISTOR
⊞	CEMENT MOLDED RESISTOR
⊟	SEMI VARIABLE RESISTOR
⊠	CHIP RESISTOR

CAPACITOR PARTS NAME

NO MARK	ELECTROLYTIC CAPACITOR
□	TANTALUM CAPACITOR
△	CERAMIC CAPACITOR
○	CERAMIC TUBULAR CAPACITOR
◇	POLYESTER FILM CAPACITOR
◇	POLYETHYLENE FILM CAPACITOR
◇	MICA CAPACITOR
◇	POLYPROPYLENE FILM CAPACITOR
◇	SEMICONDUCTIVE CERAMIC CAPACITOR
◇	POLYPHENYLENE SULFIDE FILM CAPACITOR

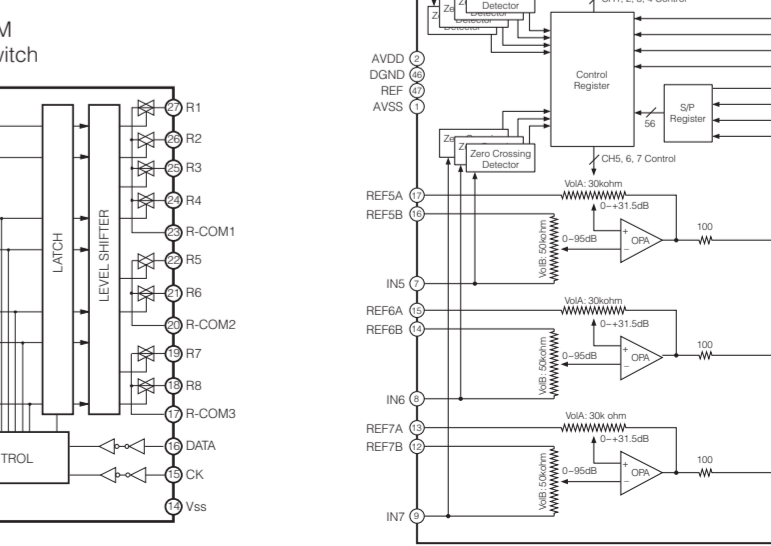
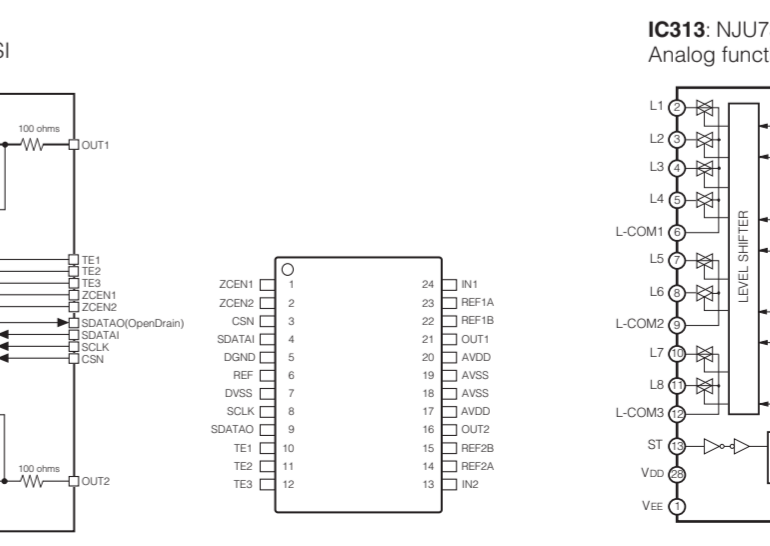
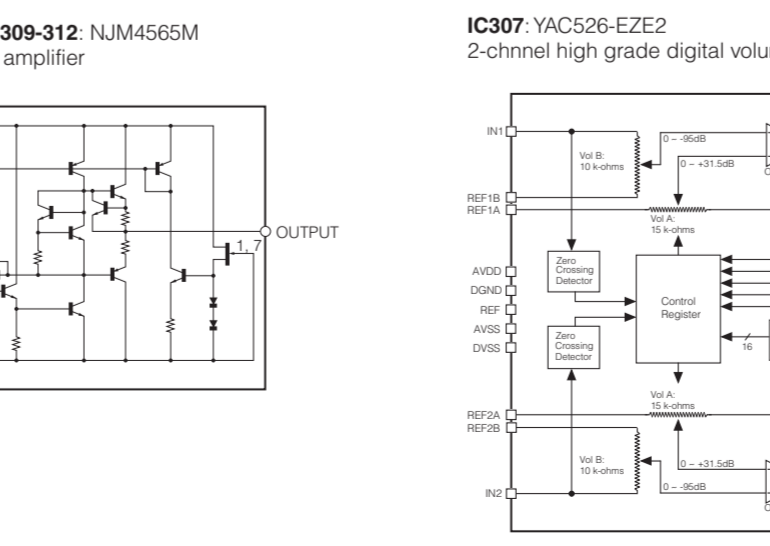
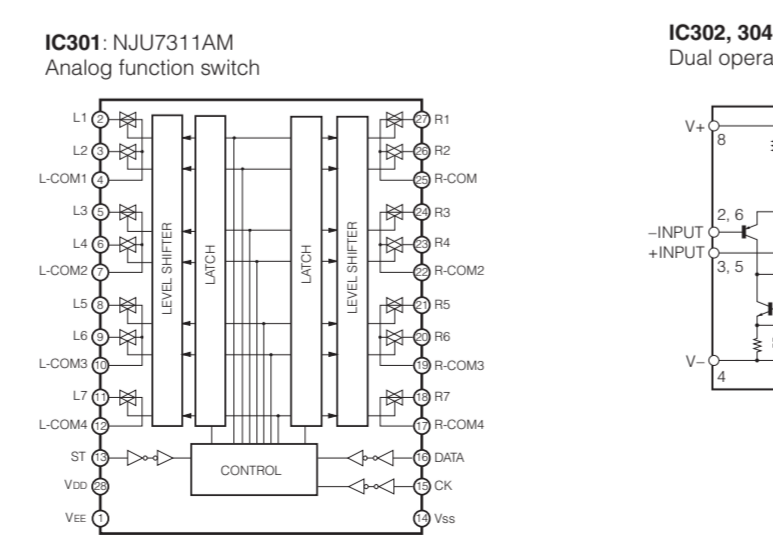
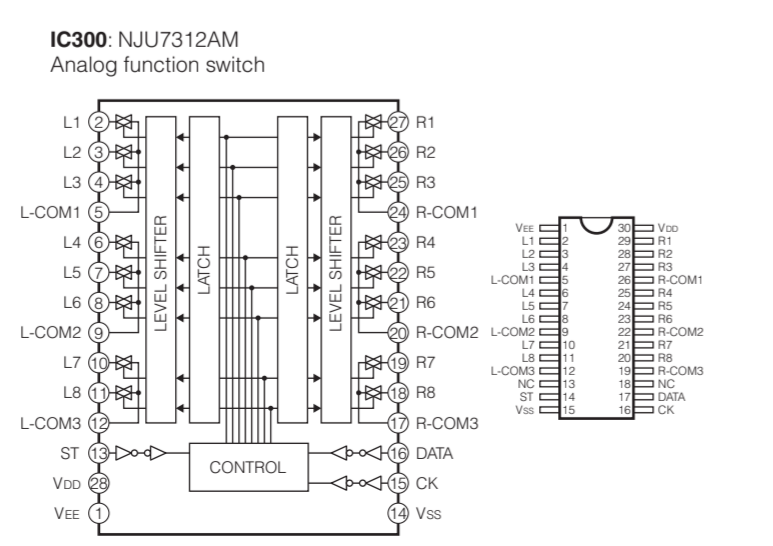
NOTICE (mode1)

(J)..... JAPAN  
(U)..... U.S.A  
(C)..... CANADA  
(R)..... GENERAL  
(T)..... CHINA  
(K)..... KOREA  
(A)..... AUSTRALIA  
(B)..... BRITISH  
(G)..... EUROPE  
(L)..... SINGAPORE  
(E)..... SOUTH  
(V)..... TAIWAN  
(F)..... RUSSIAN

Destination Part List

IC300	IC301	IC302	IC303	IC304	IC305	IC306	IC307	IC308	IC309	IC310	IC311	IC312	IC313	IC314	IC315	IC316	IC317	IC318	IC319	IC320	IC321	IC322	IC323	IC324	IC325	IC326	IC327	IC328	IC329	IC330	IC331	IC332	IC333	IC334	IC335	IC336	IC337	IC338	IC339	IC340	IC341	IC342	IC343	IC344	IC345	IC346	IC347	IC348	IC349	IC350	IC351	IC352	IC353	IC354	IC355	IC356	IC357	IC358	IC359	IC360	IC361	IC362	IC363	IC364	IC365	IC366	IC367	IC368	IC369	IC370	IC371	IC372	IC373	IC374	IC375	IC376	IC377	IC378	IC379	IC380	IC381	IC382	IC383	IC384	IC385	IC386	IC387	IC388	IC389	IC390	IC391	IC392	IC393	IC394	IC395	IC396	IC397	IC398	IC399	IC400	IC401	IC402	IC403	IC404	IC405	IC406	IC407	IC408	IC409	IC410	IC411	IC412	IC413	IC414	IC415	IC416	IC417	IC418	IC419	IC420	IC421	IC422	IC423	IC424	IC425	IC426	IC427	IC428	IC429	IC430	IC431	IC432	IC433	IC434	IC435	IC436	IC437	IC438	IC439	IC440	IC441	IC442	IC443	IC444	IC445	IC446	IC447	IC448	IC449	IC450	IC451	IC452	IC453	IC454	IC455	IC456	IC457	IC458	IC459	IC460	IC461	IC462	IC463	IC464	IC465	IC466	IC467	IC468	IC469	IC470	IC471	IC472	IC473	IC474	IC475	IC476	IC477	IC478	IC479	IC480	IC481	IC482	IC483	IC484	IC485	IC486	IC487	IC488	IC489	IC490	IC491	IC492	IC493	IC494	IC495	IC496	IC497	IC498	IC499	IC500	IC501	IC502	IC503	IC504	IC505	IC506	IC507	IC508	IC509	IC510	IC511	IC512	IC513	IC514	IC515	IC516	IC517	IC518	IC519	IC520	IC521	IC522	IC523	IC524	IC525	IC526	IC527	IC528	IC529	IC530	IC531	IC532	IC533	IC534	IC535	IC536	IC537	IC538	IC539	IC540	IC541	IC542	IC543	IC544	IC545	IC546	IC547	IC548	IC549	IC550	IC551	IC552	IC553	IC554	IC555	IC556	IC557	IC558	IC559	IC560	IC561	IC562	IC563	IC564	IC565	IC566	IC567	IC568	IC569	IC570	IC571	IC572	IC573	IC574	IC575	IC576	IC577	IC578	IC579	IC580	IC581	IC582	IC583	IC584	IC585	IC586	IC587	IC588	IC589	IC590	IC591	IC592	IC593	IC594	IC595	IC596	IC597	IC598	IC599	IC600	IC601	IC602	IC603	IC604	IC605	IC606	IC607	IC608	IC609	IC610	IC611	IC612	IC613	IC614	IC615	IC616	IC617	IC618	IC619	IC620	IC621	IC622	IC623	IC624	IC625	IC626	IC627	IC628	IC629	IC630	IC631	IC632	IC633	IC634	IC635	IC636	IC637	IC638	IC639	IC640	IC641	IC642	IC643	IC644	IC645	IC646	IC647	IC648	IC649	IC650	IC651	IC652	IC653	IC654	IC655	IC656	IC657	IC658	IC659	IC660	IC661	IC662	IC663	IC664	IC665	IC666	IC667	IC668	IC669	IC670	IC671	IC672	IC673	IC674	IC675	IC676	IC677	IC678	IC679	IC680	IC681	IC682	IC683	IC684	IC685	IC686	IC687	IC688	IC689	IC690	IC691	IC692	IC693	IC694	IC695	IC696	IC697	IC698	IC699	IC700	IC701	IC702	IC703	IC704	IC705	IC706	IC707	IC708	IC709	IC710	IC711	IC712	IC713	IC714	IC715	IC716	IC717	IC718	IC719	IC720	IC721	IC722	IC723	IC724	IC725	IC726	IC727	IC728	IC729	IC730	IC731	IC732	IC733	IC734	IC735	IC736	IC737	IC738	IC739	IC740	IC741	IC742	IC743	IC744	IC745	IC746	IC747	IC748	IC749	IC750	IC751	IC752	IC753	IC754	IC755	IC756	IC757	IC758	IC759	IC760	IC761	IC762	IC763	IC764	IC765	IC766	IC767	IC768	IC769	IC770	IC771	IC772	IC773	IC774	IC775	IC776	IC777	IC778	IC779	IC780	IC781	IC782	IC783	IC784	IC785	IC786	IC787	IC788	IC789	IC790	IC791	IC792	IC793	IC794	IC795	IC796	IC797	IC798	IC799	IC800	IC801	IC802	IC803	IC804	IC805	IC806	IC807	IC808	IC809	IC810	IC811	IC812	IC813	IC814	IC815	IC816	IC817	IC818	IC819	IC820	IC821	IC822	IC823	IC824	IC825	IC826	IC827	IC828	IC829	IC830	IC831	IC832	IC833	IC834	IC835	IC836	IC837	IC838	IC839	IC840	IC841	IC842	IC843	IC844	IC845	IC846	IC847	IC848	IC849	IC850	IC851	IC852	IC853	IC854	IC855	IC856	IC857	IC858	IC859	IC860	IC861	IC862	IC863	IC864	IC865	IC866	IC867	IC868	IC869	IC870	IC871	IC872	IC873	IC874	IC875	IC876	IC877	IC878	IC879	IC880	IC881	IC882	IC883	IC884	IC885	IC886	IC887	IC888	IC889	IC890	IC891	IC892	IC893	IC894	IC895	IC896	IC897	IC898	IC899	IC900	IC901	IC902	IC903	IC904	IC905	IC906	IC907	IC908	IC909	IC910	IC911	IC912	IC913	IC914	IC915	IC916	IC917	IC918	IC919	IC920	IC921	IC922	IC923	IC924	IC925	IC926	IC927	IC928	IC929	IC930	IC931	IC932	IC933	IC934	IC935	IC936	IC937	IC938	IC939	IC940	IC941	IC942	IC943	IC944	IC945	IC946	IC947	IC948	IC949	IC950	IC951	IC952	IC953	IC954	IC955	IC956	IC957	IC958	IC959	IC960	IC961	IC962	IC963	IC964	IC965	IC966	IC967	IC968	IC969	IC970	IC971	IC972	IC973	IC974	IC975	IC976	IC977	IC978	IC979	IC980	IC981	IC982	IC983	IC984	IC985	IC986	IC987	IC988	IC989	IC990	IC991	IC992	IC993	IC994	IC995	IC996	IC997	IC998	IC999	IC1000
-------	-------	-------	-------	-------	-------	-------	-------	-------	-------	-------	-------	-------	-------	-------	-------	-------	-------	-------	-------	-------	-------	-------	-------	-------	-------	-------	-------	-------	-------	-------	-------	-------	-------	-------	-------	-------	-------	-------	-------	-------	-------	-------	-------	-------	-------	-------	-------	-------	-------	-------	-------	-------	-------	-------	-------	-------	-------	-------	-------	-------	-------	-------	-------	-------	-------	-------	-------	-------	-------	-------	-------	-------	-------	-------	-------	-------	-------	-------	-------	-------	-------	-------	-------	-------	-------	-------	-------	-------	-------	-------	-------	-------	-------	-------	-------	-------	-------	-------	-------	-------	-------	-------	-------	-------	-------	-------	-------	-------	-------	-------	-------	-------	-------	-------	-------	-------	-------	-------	-------	-------	-------	-------	-------	-------	-------	-------	-------	-------	-------	-------	-------	-------	-------	-------	-------	-------	-------	-------	-------	-------	-------	-------	-------	-------	-------	-------	-------	-------	-------	-------	-------	-------	-------	-------	-------	-------	-------	-------	-------	-------	-------	-------	-------	-------	-------	-------	-------	-------	-------	-------	-------	-------	-------	-------	-------	-------	-------	-------	-------	-------	-------	-------	-------	-------	-------	-------	-------	-------	-------	-------	-------	-------	-------	-------	-------	-------	-------	-------	-------	-------	-------	-------	-------	-------	-------	-------	-------	-------	-------	-------	-------	-------	-------	-------	-------	-------	-------	-------	-------	-------	-------	-------	-------	-------	-------	-------	-------	-------	-------	-------	-------	-------	-------	-------	-------	-------	-------	-------	-------	-------	-------	-------	-------	-------	-------	-------	-------	-------	-------	-------	-------	-------	-------	-------	-------	-------	-------	-------	-------	-------	-------	-------	-------	-------	-------	-------	-------	-------	-------	-------	-------	-------	-------	-------	-------	-------	-------	-------	-------	-------	-------	-------	-------	-------	-------	-------	-------	-------	-------	-------	-------	-------	-------	-------	-------	-------	-------	-------	-------	-------	-------	-------	-------	-------	-------	-------	-------	-------	-------	-------	-------	-------	-------	-------	-------	-------	-------	-------	-------	-------	-------	-------	-------	-------	-------	-------	-------	-------	-------	-------	-------	-------	-------	-------	-------	-------	-------	-------	-------	-------	-------	-------	-------	-------	-------	-------	-------	-------	-------	-------	-------	-------	-------	-------	-------	-------	-------	-------	-------	-------	-------	-------	-------	-------	-------	-------	-------	-------	-------	-------	-------	-------	-------	-------	-------	-------	-------	-------	-------	-------	-------	-------	-------	-------	-------	-------	-------	-------	-------	-------	-------	-------	-------	-------	-------	-------	-------	-------	-------	-------	-------	-------	-------	-------	-------	-------	-------	-------	-------	-------	-------	-------	-------	-------	-------	-------	-------	-------	-------	-------	-------	-------	-------	-------	-------	-------	-------	-------	-------	-------	-------	-------	-------	-------	-------	-------	-------	-------	-------	-------	-------	-------	-------	-------	-------	-------	-------	-------	-------	-------	-------	-------	-------	-------	-------	-------	-------	-------	-------	-------	-------	-------	-------	-------	-------	-------	-------	-------	-------	-------	-------	-------	-------	-------	-------	-------	-------	-------	-------	-------	-------	-------	-------	-------	-------	-------	-------	-------	-------	-------	-------	-------	-------	-------	-------	-------	-------	-------	-------	-------	-------	-------	-------	-------	-------	-------	-------	-------	-------	-------	-------	-------	-------	-------	-------	-------	-------	-------	-------	-------	-------	-------	-------	-------	-------	-------	-------	-------	-------	-------	-------	-------	-------	-------	-------	-------	-------	-------	-------	-------	-------	-------	-------	-------	-------	-------	-------	-------	-------	-------	-------	-------	-------	-------	-------	-------	-------	-------	-------	-------	-------	-------	-------	-------	-------	-------	-------	-------	-------	-------	-------	-------	-------	-------	-------	-------	-------	-------	-------	-------	-------	-------	-------	-------	-------	-------	-------	-------	-------	-------	-------	-------	-------	-------	-------	-------	-------	-------	-------	-------	-------	-------	-------	-------	-------	-------	-------	-------	-------	-------	-------	-------	-------	-------	-------	-------	-------	-------	-------	-------	-------	-------	-------	-------	-------	-------	-------	-------	-------	-------	-------	-------	-------	-------	-------	-------	-------	-------	-------	-------	-------	-------	-------	-------	-------	-------	-------	-------	-------	-------	-------	-------	-------	-------	-------	-------	-------	-------	-------	-------	-------	-------	-------	-------	-------	-------	-------	-------	-------	-------	-------	-------	-------	-------	-------	-------	-------	-------	-------	-------	-------	-------	-------	-------	-------	-------	-------	-------	-------	-------	-------	-------	-------	-------	-------	-------	-------	-------	-------	--------

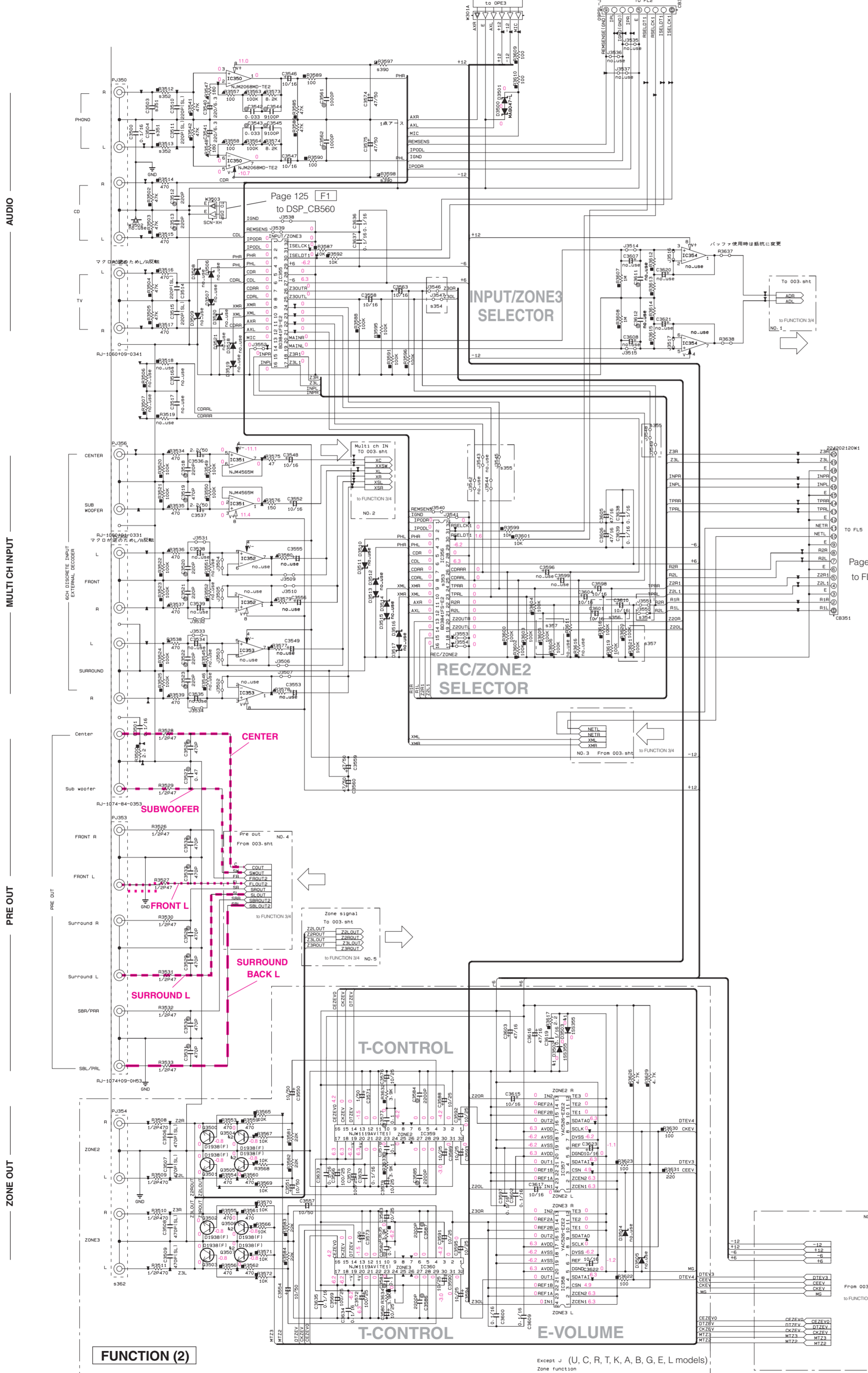
- All voltages are measured with a 10MQ/V DC electronic voltmeter.
- Components having special characteristics are marked 1, and must be replaced with parts having specifications equal to those originally installed.
- Schematic diagram is subject to change without notice.
- 電圧は、内部抵抗10MQの電圧計で測定したものです。
- 1印のある部品は、安全性確保部品を示しています。部品の交換が必要な場合、パーツリストに記載されている部品を使用してください。
- 本回路図は標準回路図です。改良のため予告なく変更することがございます。



FUNCTION 4/4

Page 130 [F3] to OPERATION (3)\_CB906

Page 141 [I8] to FL (2)\_CB967



Designator	Part List	DSP-AX1900	VC	T	K	A	BSE	L	C	G	Remarks	
R351	C503	X	X	US0622	200	US0622	200	US0622	X	US0622	200	countermeasures of EMC
R352	R312	X	X	RD3547	47	RD3547	47	RD3547	47	RD3547	47	
R353	R313	X	X	RD3547	47	RD3547	47	RD3547	47	RD3547	47	
R354	R314	X	X	RD3547	47	RD3547	47	RD3547	47	RD3547	47	
R355	R315	X	X	RD3547	47	RD3547	47	RD3547	47	RD3547	47	
R356	R316	X	X	RD3547	47	RD3547	47	RD3547	47	RD3547	47	
R357	R317	X	X	RD3547	47	RD3547	47	RD3547	47	RD3547	47	
R358	R318	X	X	RD3547	47	RD3547	47	RD3547	47	RD3547	47	
R359	R319	X	X	RD3547	47	RD3547	47	RD3547	47	RD3547	47	
R360	R320	X	X	RD3547	47	RD3547	47	RD3547	47	RD3547	47	
R361	R321	X	X	RD3547	47	RD3547	47	RD3547	47	RD3547	47	
R362	R322	X	X	RD3547	47	RD3547	47	RD3547	47	RD3547	47	
R363	R323	X	X	RD3547	47	RD3547	47	RD3547	47	RD3547	47	
R364	R324	X	X	RD3547	47	RD3547	47	RD3547	47	RD3547	47	
R365	R325	X	X	RD3547	47	RD3547	47	RD3547	47	RD3547	47	
R366	R326	X	X	RD3547	47	RD3547	47	RD3547	47	RD3547	47	
R367	R327	X	X	RD3547	47	RD3547	47	RD3547	47	RD3547	47	
R368	R328	X	X	RD3547	47	RD3547	47	RD3547	47	RD3547	47	
R369	R329	X	X	RD3547	47	RD3547	47	RD3547	47	RD3547	47	
R370	R330	X	X	RD3547	47	RD3547	47	RD3547	47	RD3547	47	
R371	R331	X	X	RD3547	47	RD3547	47	RD3547	47	RD3547	47	
R372	R332	X	X	RD3547	47	RD3547	47	RD3547	47	RD3547	47	
R373	R333	X	X	RD3547	47	RD3547	47	RD3547	47	RD3547	47	
R374	R334	X	X	RD3547	47	RD3547	47	RD3547	47	RD3547	47	
R375	R335	X	X	RD3547	47	RD3547	47	RD3547	47	RD3547	47	
R376	R336	X	X	RD3547	47	RD3547	47	RD3547	47	RD3547	47	
R377	R337	X	X	RD3547	47	RD3547	47	RD3547	47	RD3547	47	
R378	R338	X	X	RD3547	47	RD3547	47	RD3547	47	RD3547	47	
R379	R339	X	X	RD3547	47	RD3547	47	RD3547	47	RD3547	47	
R380	R340	X	X	RD3547	47	RD3547	47	RD3547	47	RD3547	47	
R381	R341	X	X	RD3547	47	RD3547	47	RD3547	47	RD3547	47	
R382	R342	X	X	RD3547	47	RD3547	47	RD3547	47	RD3547	47	
R383	R343	X	X	RD3547	47	RD3547	47	RD3547	47	RD3547	47	
R384	R344	X	X	RD3547	47	RD3547	47	RD3547	47	RD3547	47	
R385	R345	X	X	RD3547	47	RD3547	47	RD3547	47	RD3547	47	
R386	R346	X	X	RD3547	47	RD3547	47	RD3547	47	RD3547	47	
R387	R347	X	X	RD3547	47	RD3547	47	RD3547	47	RD3547	47	
R388	R348	X	X	RD3547	47	RD3547	47	RD3547	47	RD3547	47	
R389	R349	X	X	RD3547	47	RD3547	47	RD3547	47	RD3547	47	
R390	R350	X	X	RD3547	47	RD3547	47	RD3547	47	RD3547	47	



REMARKS	PARTS NAME
NO MARK	CARBON FILM RESISTOR (P-5)
CF	CARBON FILM RESISTOR (P-10)
Δ	METAL OXIDE FILM RESISTOR
▲	METAL FILM RESISTOR
□	METAL PLATE RESISTOR
◇	FINE PORED CARBON FILM RESISTOR
□	CEMENT MOLDED RESISTOR
○	SEMI-VARIABLE RESISTOR
■	CHIP RESISTOR

REMARKS	PARTS NAME
NO MARK	ELECTROLYTIC CAPACITOR
□	TANTALUM CAPACITOR
NO MARK	CERAMIC CAPACITOR
●	CERAMIC TUBULAR CAPACITOR
○	POLYESTER FILM CAPACITOR
○	POLYPROPYLENE FILM CAPACITOR
○	MICA CAPACITOR
○	POLYPROPYLENE FILM CAPACITOR
○	SEMICONDUCTIVE CERAMIC CAPACITOR
○	POLYPHENYLENE SULFIDE FILM CAPACITOR

\* All voltages are measured with a 10MΩ/V DC electronic voltmeter.  
 \* Components having special characteristics are marked !, and must be replaced with parts having specifications equal to those originally installed.  
 \* Schematic diagram is subject to change without notice.

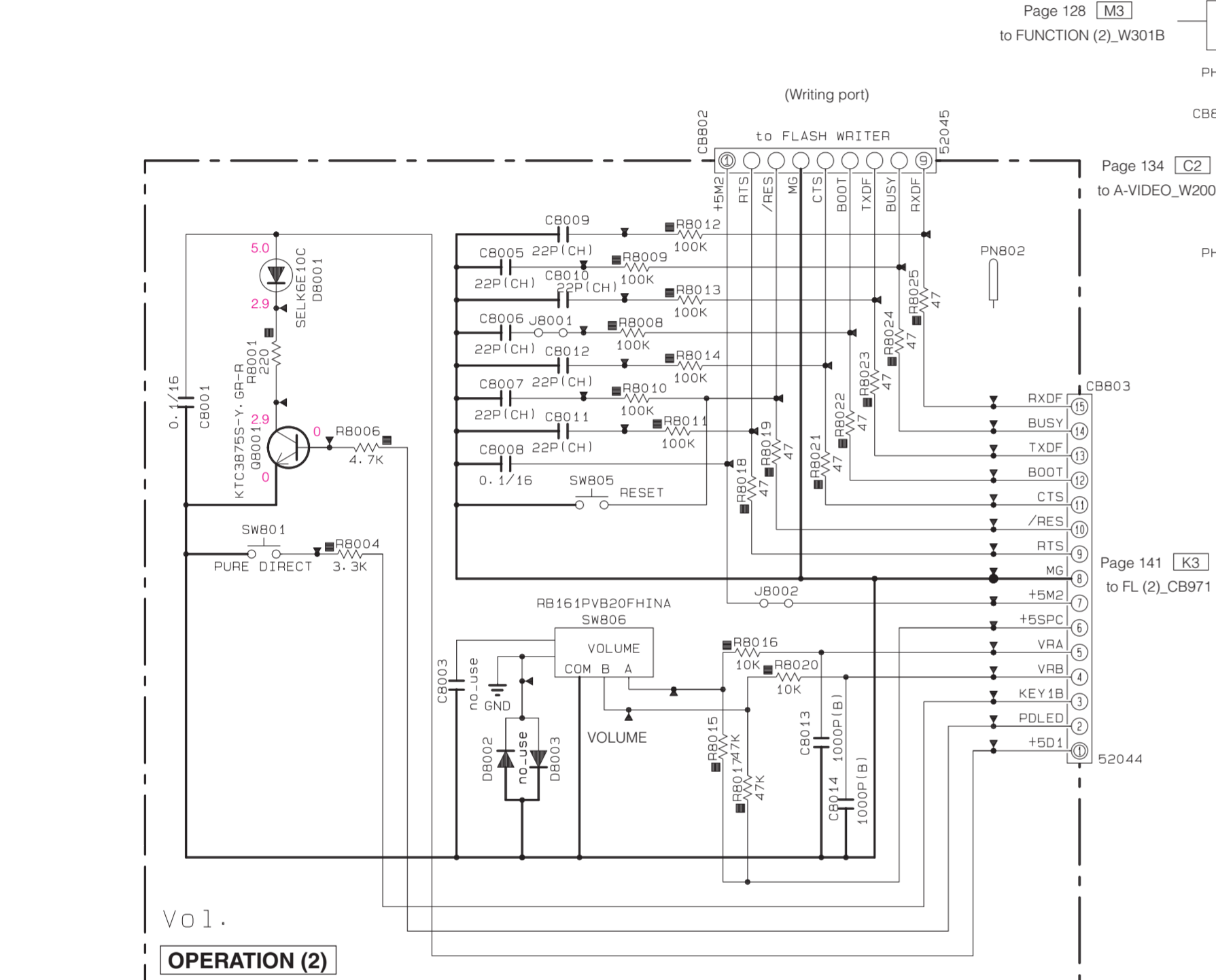
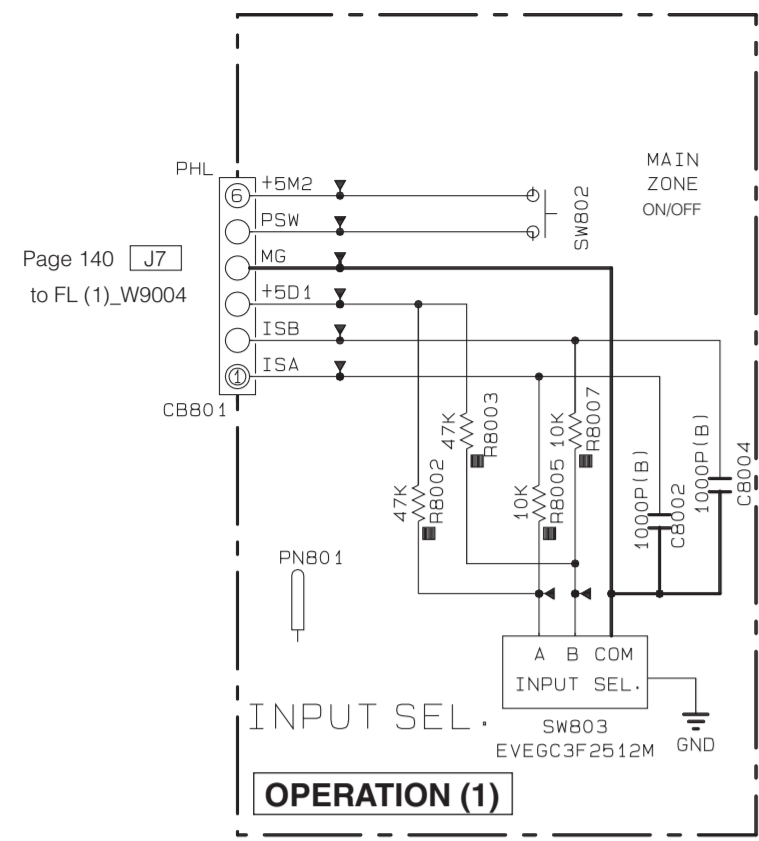
● 電圧は、内部抵抗10MΩの電圧計で測定したものです。  
 ● !印のある部品は、安全確保部品を示しています。部品の交換が必要な場合、パーツリストに記載されている部品を使用してください。  
 ● 本回路図は標準回路図です。改良のため予告なく変更することがございます。

FUNCTION (2)

Pre Amp (2)

Except (J, C, R, T, K, A, B, G, E, L models), Zone Function

OPERATION



Interchangeable Parts at Manufacture-Stage

Mark	Reference Parts Number	Parts Name
&1	G8002-8003	2SD1938(F) 2SC3326(A/B) 2SC5938(A/B) 2SD2704K

Destinatin Part List

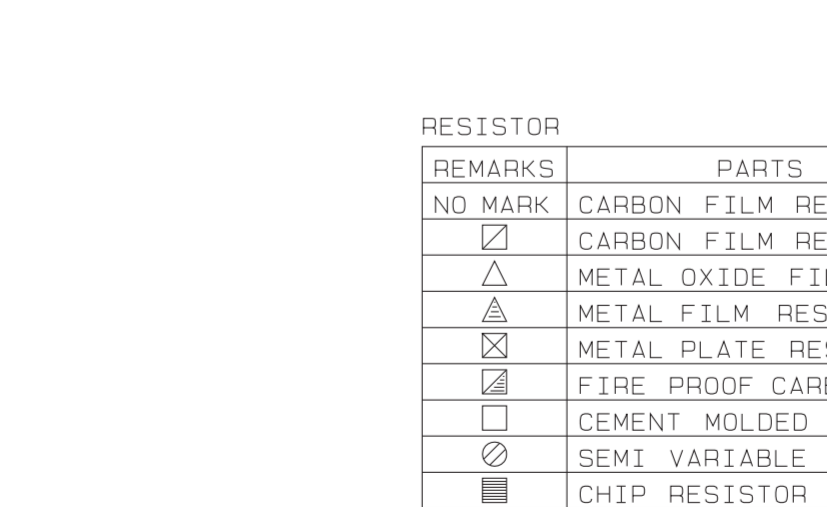
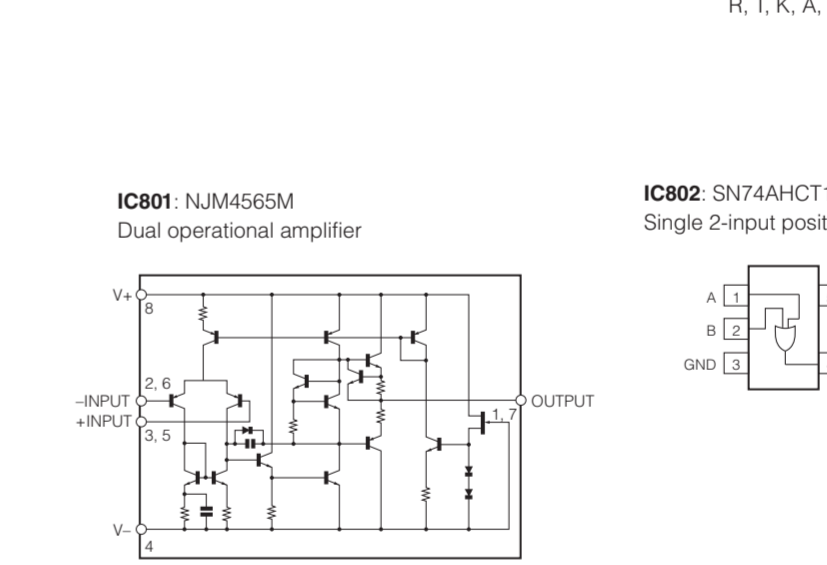
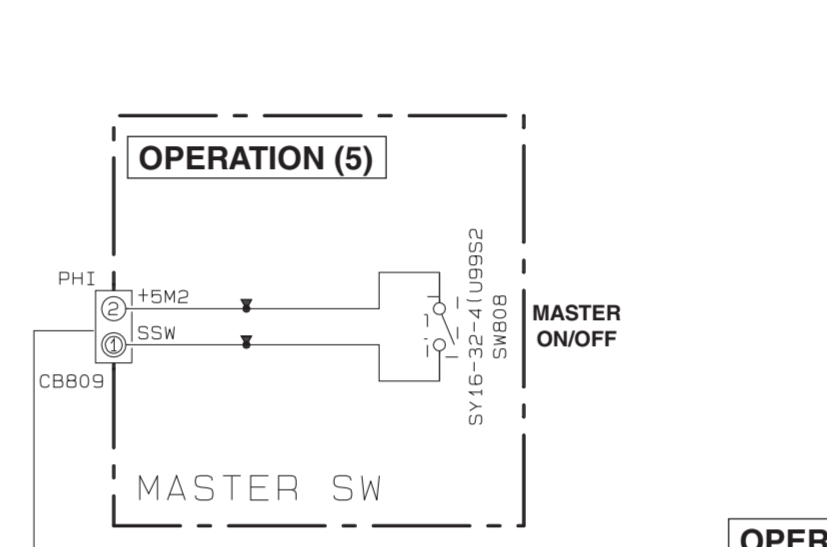
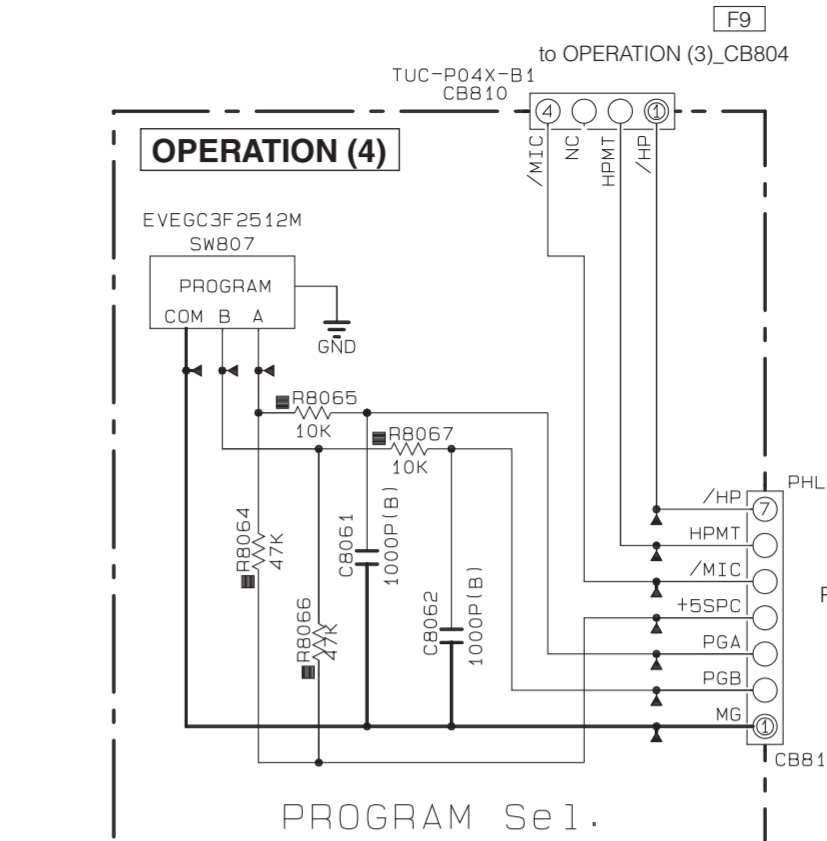
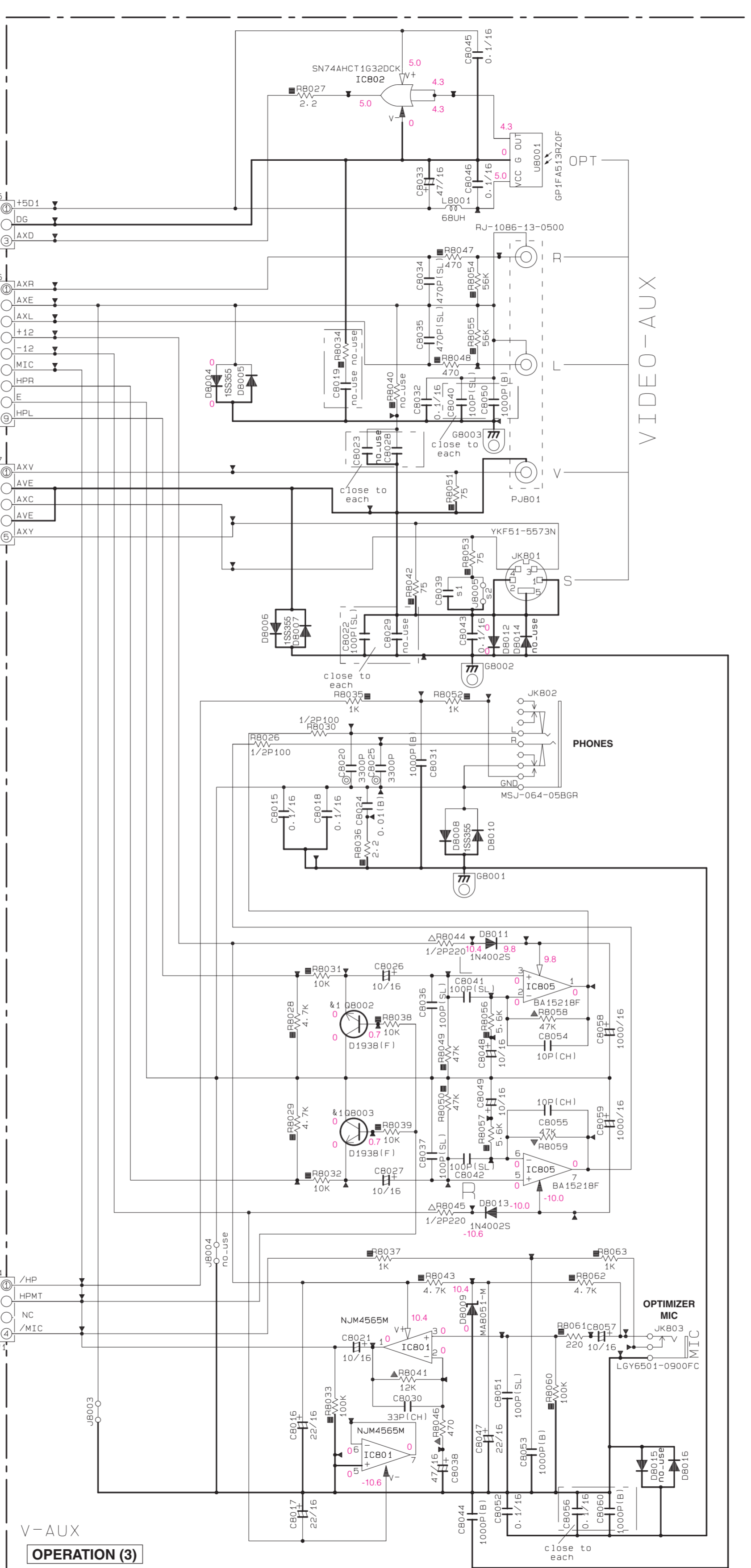
sXX	LOC	JUC	RTKLABGE
s1	CB039	US13510 0.1/16	X
s2	J8005	X	RD35000 0

\* All voltages are measured with a 10MΩ/V DC electronic voltmeter.  
 \* Components having special characteristics are marked with a triangle and must be replaced with parts having specifications equal to those originally installed.  
 \* Schematic diagram is subject to change without notice.

NOTICE (model)

(J)..... JAPAN  
 (U)..... U.S. A  
 (C)..... CANADA  
 (R)..... GENERAL  
 (T)..... CHINA  
 (K)..... KOREA  
 (A)..... AUSTRALIA  
 (B)..... BRITISH  
 (G)..... EUROPE  
 (L)..... SINGAPORE  
 (E)..... SOUTH EUROPE  
 (V)..... TAIWAN  
 (F)..... RUSSIAN

●電圧は、内部抵抗10MΩの電圧計で測定したものです。  
 ●△印のある部品は、安全性確保部品を示しています。部品の交換が必要な場合、パーツリストに記載されている部品を使用してください。  
 ●本回路図は標準回路図です。改良のため予告なく変更することがございます。



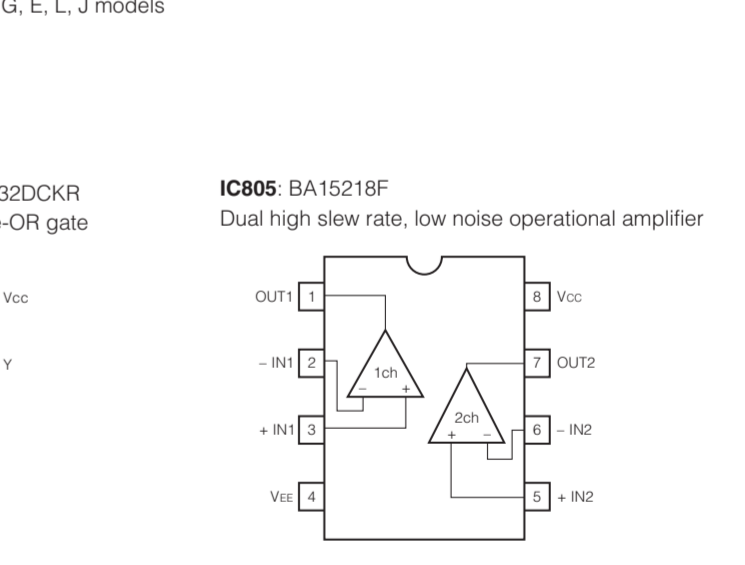
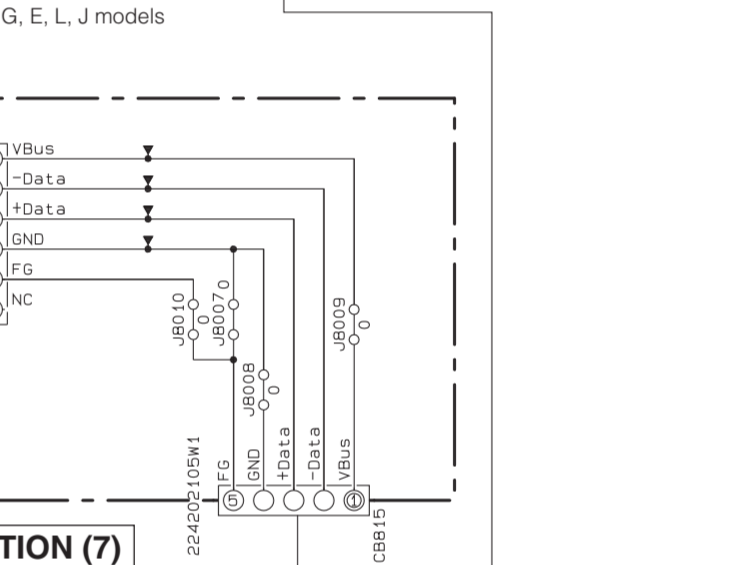
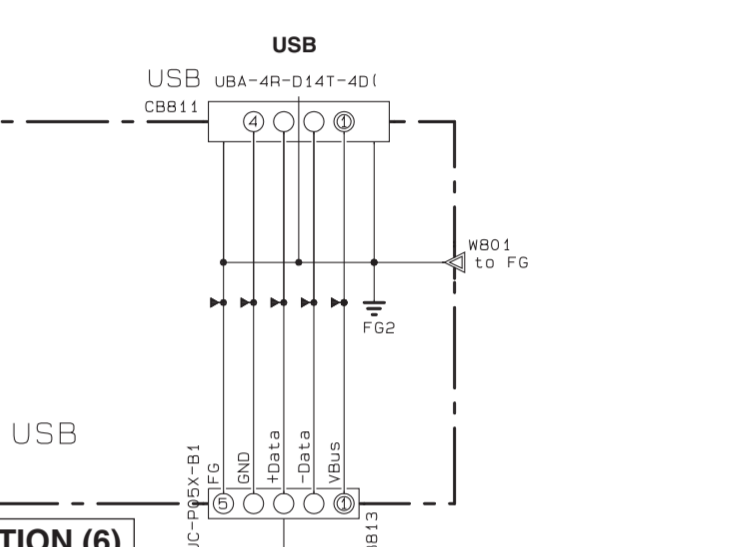
RESISTOR

REMARKS	PARTS NAME
NO MARK	CARBON FILM RESISTOR (P=5)
□	CARBON FILM RESISTOR (P=10)
△	METAL OXIDE FILM RESISTOR
▲	METAL FILM RESISTOR
⊠	METAL PLATE RESISTOR
■	FIRE PROOF CARBON FILM RESISTOR
▣	CEMENT MOLDED RESISTOR
▤	SEMI VARIABLE RESISTOR
⊞	CHIP RESISTOR

CAPACITOR

REMARKS	PARTS NAME
NO MARK	ELECTROLYTIC CAPACITOR
⊗	TANTALUM CAPACITOR
NO MARK	CERAMIC CAPACITOR
●	CERAMIC TUBULAR CAPACITOR
⊙	POLYESTER FILM CAPACITOR
○	POLYSTYRENE FILM CAPACITOR
⊖	MICA CAPACITOR
⊕	POLYPROPYLENE FILM CAPACITOR
⊞	SEMICONDUCTIVE CERAMIC CAPACITOR



RESISTOR

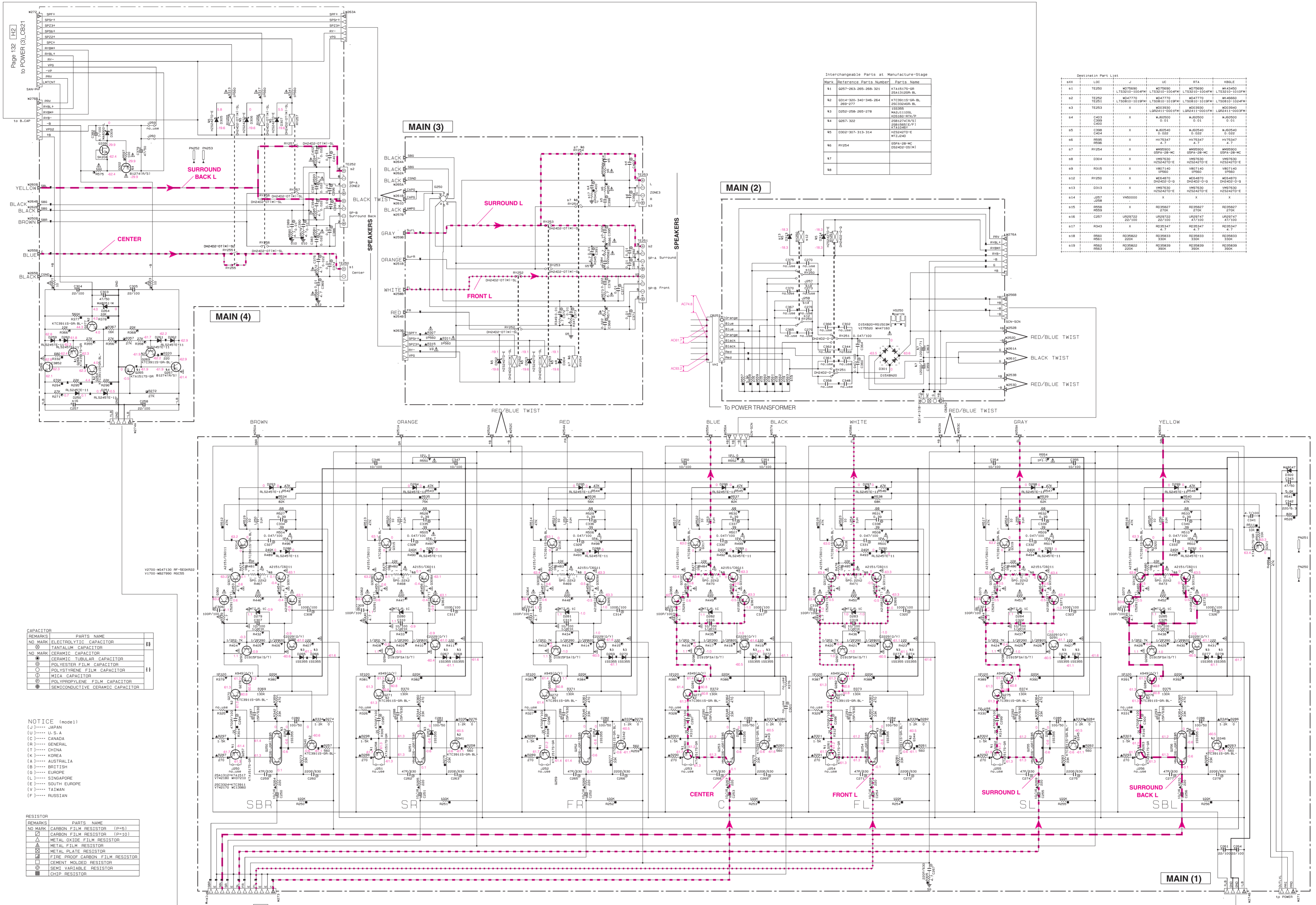
REMARKS	PARTS NAME
NO MARK	CARBON FILM RESISTOR (P=5)
□	CARBON FILM RESISTOR (P=10)
△	METAL OXIDE FILM RESISTOR
▲	METAL FILM RESISTOR
⊠	METAL PLATE RESISTOR
■	FIRE PROOF CARBON FILM RESISTOR
▣	CEMENT MOLDED RESISTOR
▤	SEMI VARIABLE RESISTOR
⊞	CHIP RESISTOR

CAPACITOR

REMARKS	PARTS NAME
NO MARK	ELECTROLYTIC CAPACITOR
⊗	TANTALUM CAPACITOR
NO MARK	CERAMIC CAPACITOR
●	CERAMIC TUBULAR CAPACITOR
⊙	POLYESTER FILM CAPACITOR
○	POLYSTYRENE FILM CAPACITOR
⊖	MICA CAPACITOR
⊕	POLYPROPYLENE FILM CAPACITOR
⊞	SEMICONDUCTIVE CERAMIC CAPACITOR

MAIN



Interchangeable Parts at Manufacture-Stage

Mark	Reference Parts Number	Parts Name
41	Q257-063-265-266-321	KT1A15173-QR 25A33308-RL
42	Q314-330-340-346-264 269-277	KT1C39115-GR-BL 25C33046-RL 153200
43	Q325-256-265-276	MA2J1110L K25355-RT-2P
44	Q267-302	25B12741(R/S) 25B12511(R/S) 25B12511(R/S) MT2J-0-40
45	Q302-307-313-314	25S2427D-E MT2J-0-40
46	RY254	05PA-28-NC 05S402D-051M
47		
48		

Destination Part List

Mark	LOC	J	LC	ITA	MSLE
51	TE250	W07560	W07560	W07560	W04340
52	TE252	LT3231P-1004FM	LT3231P-1004FM	LT3231P-1004FM	LT3231P-1004FM
53	TE253	W04770	W04770	W04770	W04660
54	C403	X	K*0500	K*0500	K*0500
55	C398	X	K*0250	K*0250	K*0250
56	R205	X	HV7347	HV7347	HV7347
57	RY254	X	W05900	W05900	W05900
58	D304	X	05PA-28-NC	05PA-28-NC	05PA-28-NC
59	RY15	X	W07140	W07140	W07140
60	RY250	X	W05470	W05470	W05470
61	RY250	X	W05470	W05470	W05470
62	RY250	X	W05470	W05470	W05470
63	RY250	X	W05470	W05470	W05470
64	RY250	X	W05470	W05470	W05470
65	RY250	X	W05470	W05470	W05470
66	RY250	X	W05470	W05470	W05470
67	RY250	X	W05470	W05470	W05470
68	RY250	X	W05470	W05470	W05470
69	RY250	X	W05470	W05470	W05470
70	RY250	X	W05470	W05470	W05470
71	RY250	X	W05470	W05470	W05470
72	RY250	X	W05470	W05470	W05470
73	RY250	X	W05470	W05470	W05470
74	RY250	X	W05470	W05470	W05470
75	RY250	X	W05470	W05470	W05470
76	RY250	X	W05470	W05470	W05470
77	RY250	X	W05470	W05470	W05470
78	RY250	X	W05470	W05470	W05470
79	RY250	X	W05470	W05470	W05470
80	RY250	X	W05470	W05470	W05470
81	RY250	X	W05470	W05470	W05470
82	RY250	X	W05470	W05470	W05470
83	RY250	X	W05470	W05470	W05470
84	RY250	X	W05470	W05470	W05470
85	RY250	X	W05470	W05470	W05470
86	RY250	X	W05470	W05470	W05470
87	RY250	X	W05470	W05470	W05470
88	RY250	X	W05470	W05470	W05470
89	RY250	X	W05470	W05470	W05470
90	RY250	X	W05470	W05470	W05470
91	RY250	X	W05470	W05470	W05470
92	RY250	X	W05470	W05470	W05470
93	RY250	X	W05470	W05470	W05470
94	RY250	X	W05470	W05470	W05470
95	RY250	X	W05470	W05470	W05470
96	RY250	X	W05470	W05470	W05470
97	RY250	X	W05470	W05470	W05470
98	RY250	X	W05470	W05470	W05470
99	RY250	X	W05470	W05470	W05470
100	RY250	X	W05470	W05470	W05470

CAPACITOR

REMARKS	PARTS NAME
NO MARK	ELECTROLYTIC CAPACITOR
⊖	TANTALUM CAPACITOR
NO MARK	CERAMIC CAPACITOR
⊙	CERAMIC TUBULAR CAPACITOR
⊖	POLYESTER FILM CAPACITOR
⊖	POLYSTYRENE FILM CAPACITOR
⊖	MICA CAPACITOR
⊖	POLYPROPYLENE FILM CAPACITOR
⊖	SEMICONDUCTIVE CERAMIC CAPACITOR

NOTICE (mode1)

(J) ..... JAPAN  
 (U) ..... U.S.A  
 (C) ..... CANADA  
 (R) ..... GENERAL  
 (T) ..... CHINA  
 (K) ..... KOREA  
 (A) ..... AUSTRALIA  
 (B) ..... BRITISH  
 (G) ..... EUROPE  
 (L) ..... SINGAPORE  
 (E) ..... SOUTH EUROPE  
 (V) ..... TAIWAN  
 (F) ..... RUSSIAN

RESISTOR

REMARKS	PARTS NAME
NO MARK	CARBON FILM RESISTOR (P=5)
□	CARBON FILM RESISTOR (P=10)
△	METAL OXIDE FILM RESISTOR
▲	METAL FILM RESISTOR
⊖	METAL PLATE RESISTOR
⊖	FIRE PROOF CARBON FILM RESISTOR
⊖	CEMENT MOLDED RESISTOR
⊖	SEMI VARIABLE RESISTOR
⊖	CHTP RESISTOR

★ All voltages are measured with a 10MΩ DC electronic voltmeter.  
 ★ Components having special characteristics are marked with a triangle and must be replaced with parts having specifications equal to those originally installed.  
 ★ Schematic diagram is subject to change without notice.

● 電圧は、内部抵抗10MΩの電圧計で測定したものです。  
 ● 印のある部品は、安全確保部品を示しています。部品の交換が必要な場合、パーツリストに記載されている部品を使用してください。  
 ● 本回路図は標準回路図です。改良のため予告なく変更することがございます。

POWER

NOTICE (model)
(J)..... JAPAN
(U)..... U.S.A.
(C)..... CANADA
(E)..... GENERAL
(T)..... CHINA
(K)..... KOREA
(A)..... AUSTRALIA
(B)..... BRITISH
(G)..... EUROPE
(L)..... LITHUANIA
(S)..... SOUTH EUROPE
(V)..... TAIWAN
(F)..... RUSSIAN

Table with 2 columns: PARTS NAME, PARTS NAME. Lists various resistor types like CARBON FILM RESISTOR, METAL OXIDE FILM RESISTOR, etc.

Table with 2 columns: PARTS NAME, PARTS NAME. Lists various capacitor types like ELECTROLYTIC CAPACITOR, FANTAILOR CAPACITOR, etc.

Table with 3 columns: Mark, Reference Parts Number, Parts Name. Lists interchangeable parts at manufacture stage.

Page 140 [A5]
to FL(1),W9001
To PCB-FL
(Front Panel)

Page 126 [F8]
to FUNCTION(1),CB407
(U-COM)
To FUNC

Page 131 [B1]
to MAIN(4),W272
To PCB-MAIN

Page 139 [L7]
to D-VIDEO,CB188
To PCB-DVIDEO

Page 134 [I3]
to A-VIDEO,W2001
To PCB-AVIDEO

Page 124 [I1]
to DSP,W5301
To PCB-DSP

Page 124 [K1]
to DSP,W5302
To PCB-DSP

Page 126 [H8]
to FUNCTION(1),CB409
To PCB-FUNC
(u-COM)

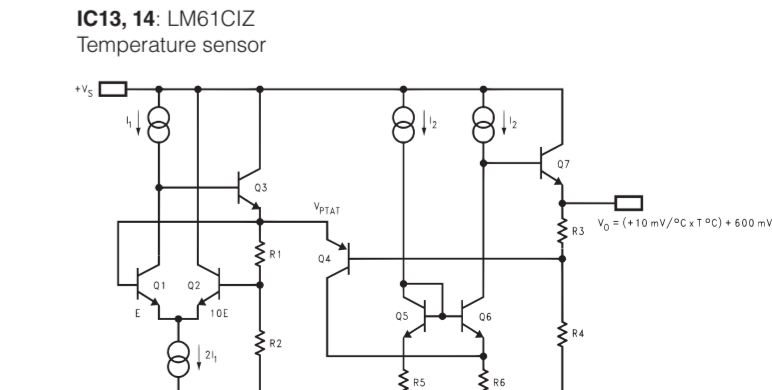
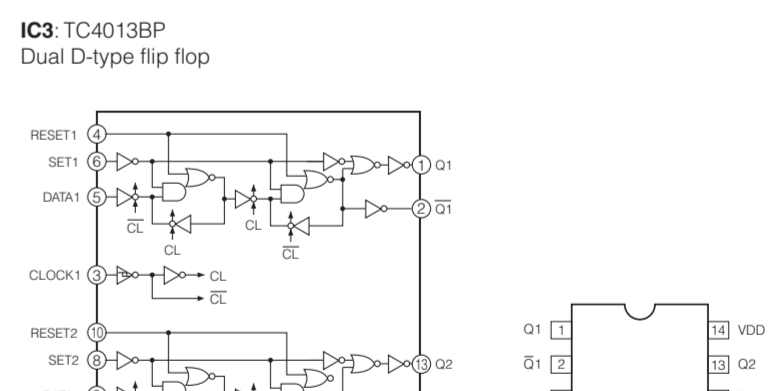
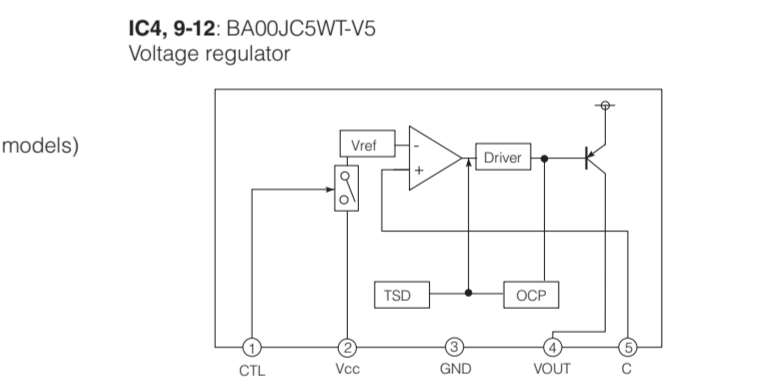
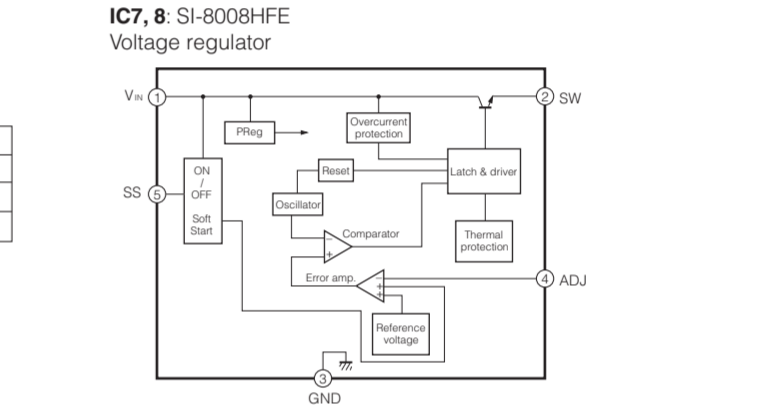
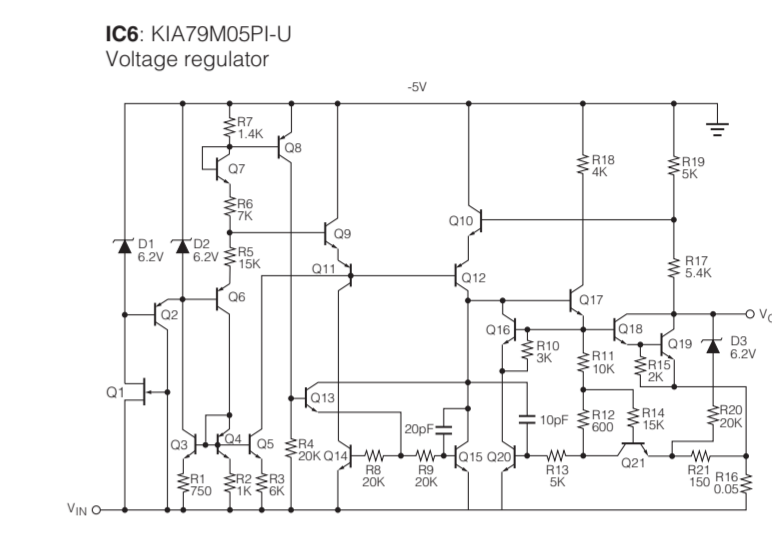
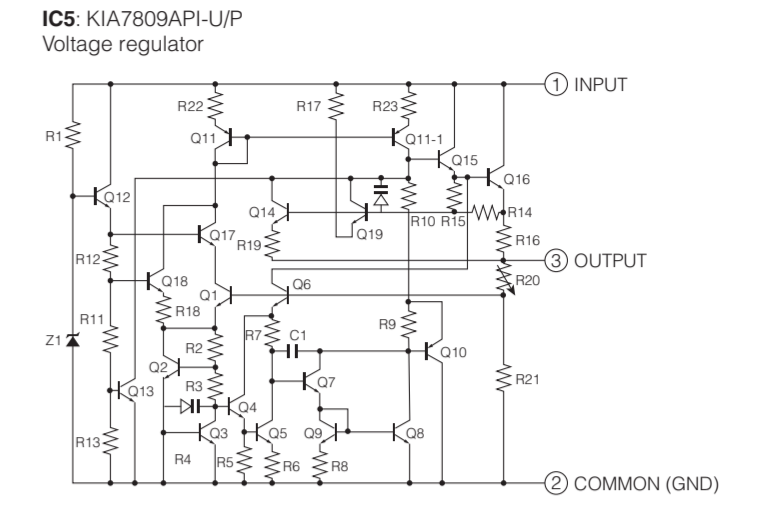
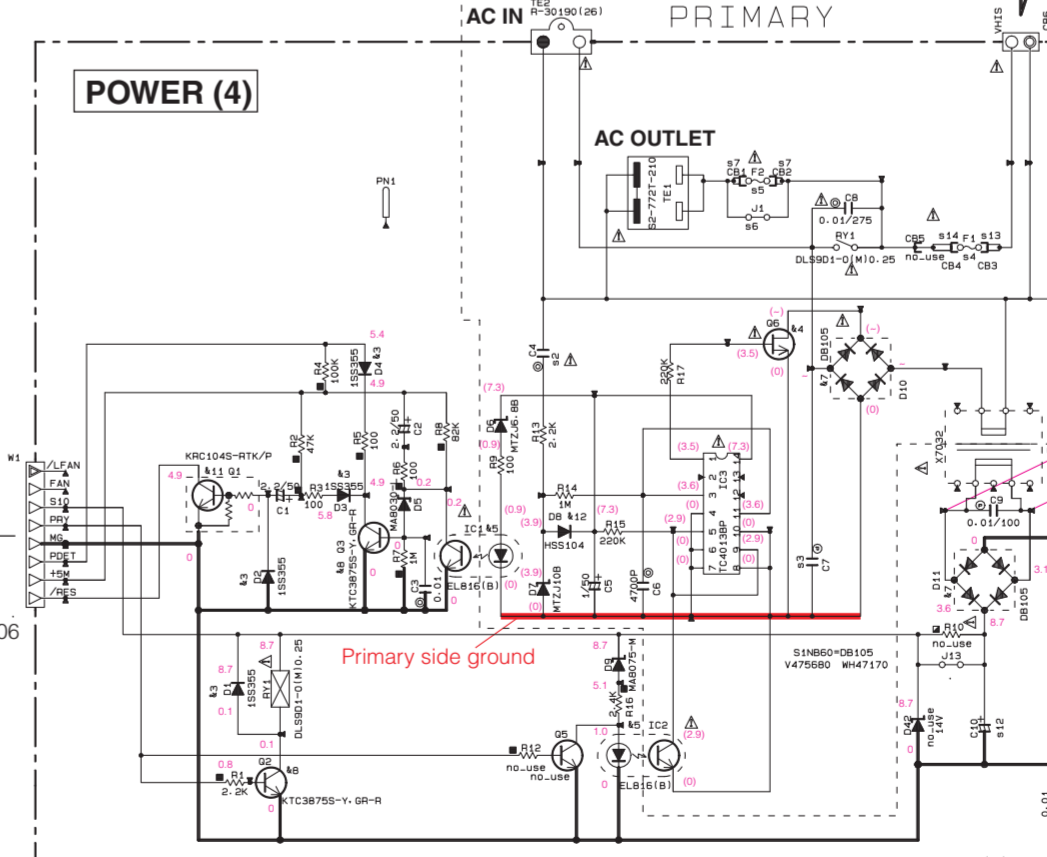
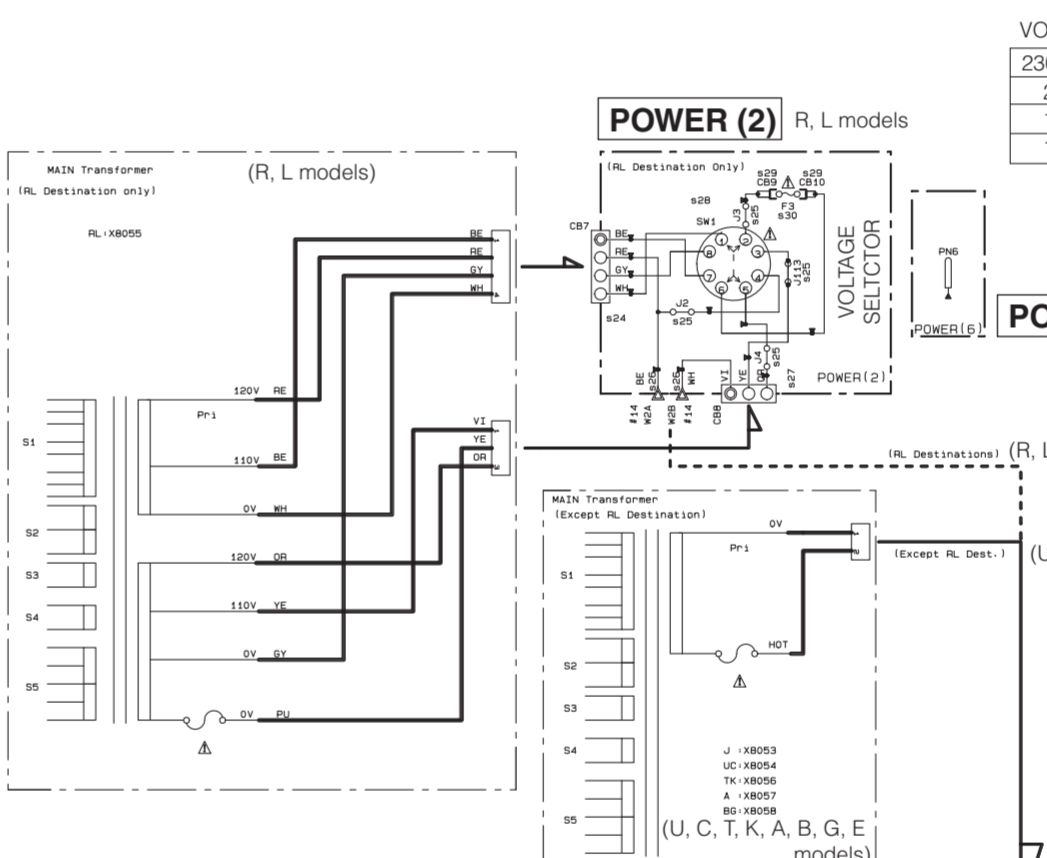
Page 131 [N10]
to MAIN(1),W271
To PCB-FUNC
(Pre Amp)

Page 128 [M1]
to FUNCTION(2),W3004
To PCB-FUNC
(Pre Amp)

Page 126 [D8]
to FUNCTION(1),CB406
To PCB-FUNC
(Pre Amp)

POWER (5)

Large table with columns for component types and model numbers, likely a parts list or interchangeability table.



\* All voltages are measured with a 10MΩ/V DC electronic voltmeter.
\* Components having special characteristics are marked with a triangle and must be replaced with parts having specifications equal to those originally installed.
\* Schematic diagram is subject to change without notice.

● 電圧は、内部抵抗10MΩの電圧計で測定したものです。
● 印のある部品は、安全性確保部品を示しています。部品の交換が必要な場合、パーツリストに記載されている部品を使用してください。
● 本回路図は標準回路図です。改良のため予告なく変更することがございます。

A-VIDEO 1/2

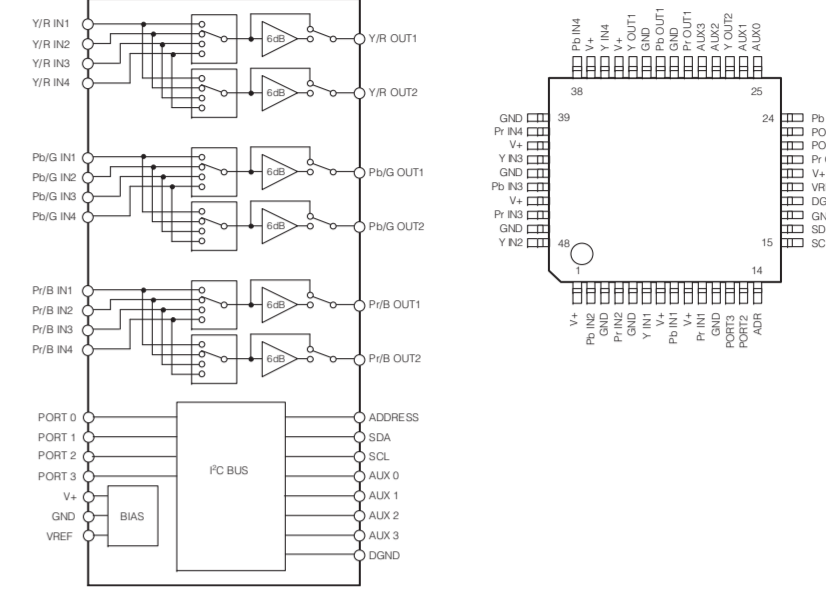
Page 136 [B5] to D-VIDEO\_CB122 Page 136 [B3] to D-VIDEO\_CB121

REMARKS	PARTS NAME
NO MARK	CARBON FILM RESISTOR (P=5)
□	CARBON FILM RESISTOR (P=10)
△	METAL OXIDE FILM RESISTOR
△	METAL FILM RESISTOR
□	METAL PLATE RESISTOR
□	FIRE PROOF CARBON FILM RESISTOR
□	CEMENT MOLDED RESISTOR
□	SEMI VARIABLE RESISTOR
■	CHIP RESISTOR

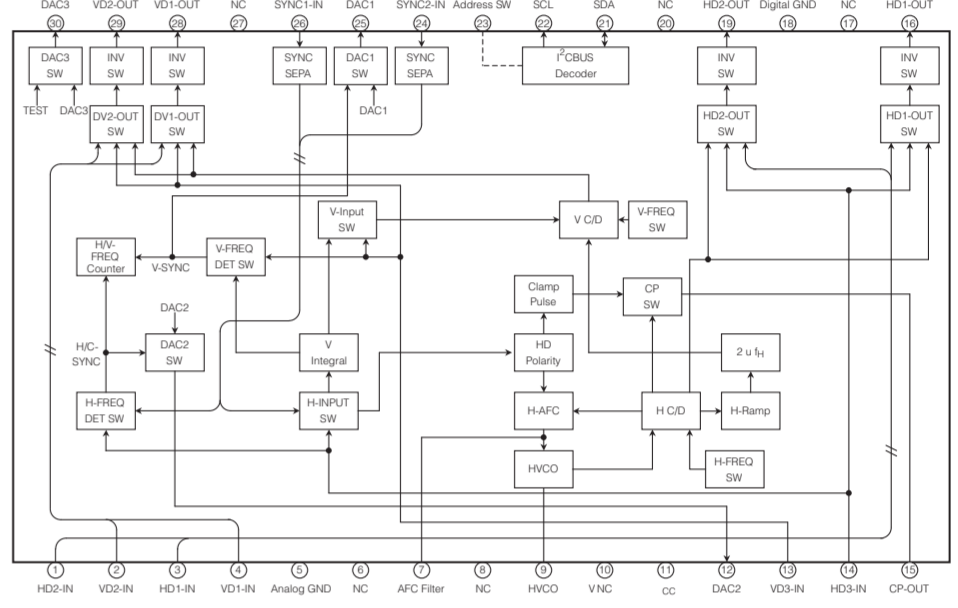
NOTICE (mode1)  
 (J)..... JAPAN  
 (U)..... U.S.A  
 (C)..... CANADA  
 (G)..... GENERAL  
 (T)..... CHINA  
 (K)..... KOREA  
 (A)..... AUSTRALIA  
 (B)..... BRITISH  
 (E)..... EUROPE  
 (L)..... SINGAPORE  
 (S)..... SOUTH EUROPE  
 (V)..... TAIWAN  
 (F)..... RUSSIAN

REMARKS	PARTS NAME
NO MARK	ELECTROLYTIC CAPACITOR
□	TANTALUM CAPACITOR
NO MARK	CERAMIC CAPACITOR
○	CERAMIC TUBULAR CAPACITOR
○	POLYESTER FILM CAPACITOR
○	POLYSTYRENE FILM CAPACITOR
○	MICA CAPACITOR
○	POLYPROPYLENE FILM CAPACITOR
○	SEMICONDUCTIVE CERAMIC CAPACITOR
○	POLYPHENYLENE SULFIDE FILM CAPACITOR

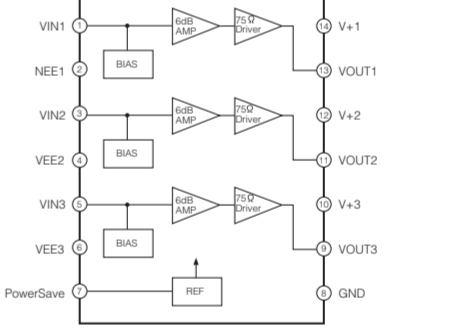
IC201: NJW1321FP1 Wide band video switch with I<sup>2</sup>C bus



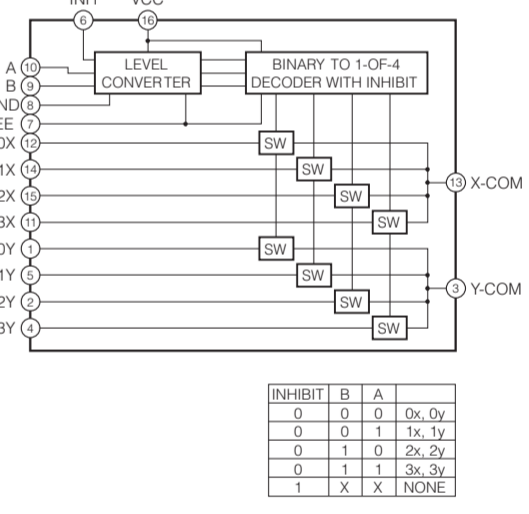
IC202: TA1318AF SYNC processor, frequency counter IC for TV component signals



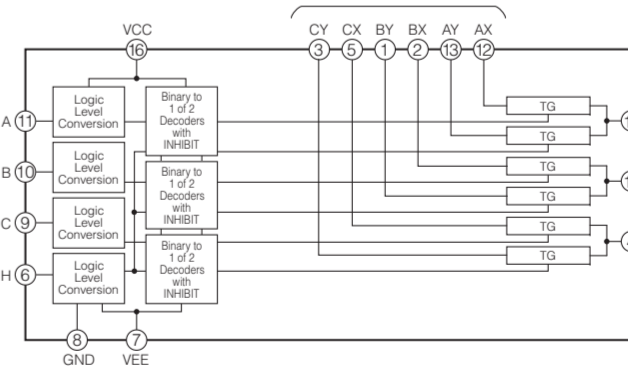
IC203: NJM2581M Video amplifier



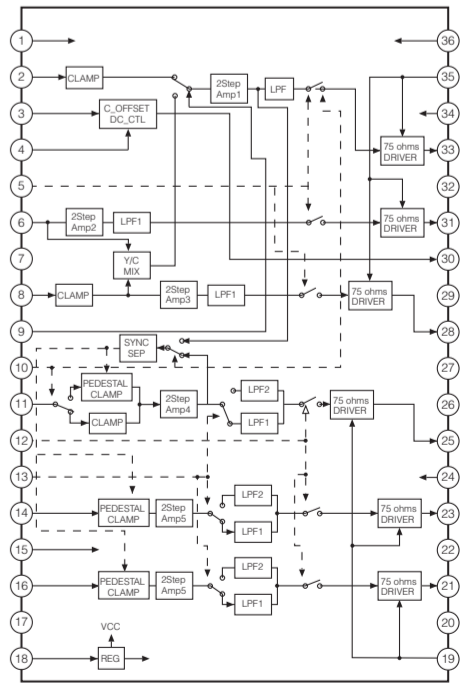
IC204, 205: TC74HC4052AF Analog multiplexer/demultiplexer



IC206: MM74HC4053SJX Triple 2-channel analog multiplexer



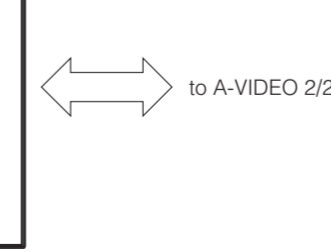
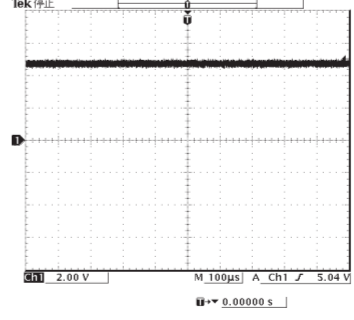
IC207: LA73054-TLM-E Analog dual operational amplifier



DESTINATION PART LIST	LOC	IC	REV	TRANSFORMER
51	R2001	TA1318AF	X	X
51	R2002	TA1318AF	X	X
51	R2003	TA1318AF	X	X
51	R2004	TA1318AF	X	X
51	R2005	TA1318AF	X	X
51	R2006	TA1318AF	X	X
51	R2007	TA1318AF	X	X
51	R2008	TA1318AF	X	X
51	R2009	TA1318AF	X	X
53	R2010	HW79310	X	X
53	R2011	HW79310	X	X
53	R2012	HW79310	X	X
53	R2013	HW79310	X	X
53	R2014	HW79310	X	X
53	R2015	HW79310	X	X
53	R2016	HW79310	X	X
53	R2017	HW79310	X	X
53	R2018	HW79310	X	X
53	R2019	HW79310	X	X
53	R2020	HW79310	X	X
53	R2021	HW79310	X	X
53	R2022	HW79310	X	X
53	R2023	HW79310	X	X
53	R2024	HW79310	X	X
53	R2025	HW79310	X	X
53	R2026	HW79310	X	X
53	R2027	HW79310	X	X
53	R2028	HW79310	X	X
53	R2029	HW79310	X	X
53	R2030	HW79310	X	X
53	R2031	HW79310	X	X
53	R2032	HW79310	X	X
53	R2033	HW79310	X	X
53	R2034	HW79310	X	X
53	R2035	HW79310	X	X
53	R2036	HW79310	X	X
53	R2037	HW79310	X	X
53	R2038	HW79310	X	X
53	R2039	HW79310	X	X
53	R2040	HW79310	X	X
53	R2041	HW79310	X	X
53	R2042	HW79310	X	X
53	R2043	HW79310	X	X
53	R2044	HW79310	X	X
53	R2045	HW79310	X	X
53	R2046	HW79310	X	X
53	R2047	HW79310	X	X
53	R2048	HW79310	X	X
53	R2049	HW79310	X	X
53	R2050	HW79310	X	X
53	R2051	HW79310	X	X
53	R2052	HW79310	X	X
53	R2053	HW79310	X	X
53	R2054	HW79310	X	X
53	R2055	HW79310	X	X
53	R2056	HW79310	X	X
53	R2057	HW79310	X	X
53	R2058	HW79310	X	X
53	R2059	HW79310	X	X
53	R2060	HW79310	X	X
53	R2061	HW79310	X	X
53	R2062	HW79310	X	X
53	R2063	HW79310	X	X
53	R2064	HW79310	X	X
53	R2065	HW79310	X	X
53	R2066	HW79310	X	X
53	R2067	HW79310	X	X
53	R2068	HW79310	X	X
53	R2069	HW79310	X	X
53	R2070	HW79310	X	X
53	R2071	HW79310	X	X
53	R2072	HW79310	X	X
53	R2073	HW79310	X	X
53	R2074	HW79310	X	X
53	R2075	HW79310	X	X
53	R2076	HW79310	X	X
53	R2077	HW79310	X	X
53	R2078	HW79310	X	X
53	R2079	HW79310	X	X
53	R2080	HW79310	X	X
53	R2081	HW79310	X	X
53	R2082	HW79310	X	X
53	R2083	HW79310	X	X
53	R2084	HW79310	X	X
53	R2085	HW79310	X	X
53	R2086	HW79310	X	X
53	R2087	HW79310	X	X
53	R2088	HW79310	X	X
53	R2089	HW79310	X	X
53	R2090	HW79310	X	X
53	R2091	HW79310	X	X
53	R2092	HW79310	X	X
53	R2093	HW79310	X	X
53	R2094	HW79310	X	X
53	R2095	HW79310	X	X
53	R2096	HW79310	X	X
53	R2097	HW79310	X	X
53	R2098	HW79310	X	X
53	R2099	HW79310	X	X
53	R2100	HW79310	X	X

Mark	Reference Parts Number	Parts Name
41	02001-2009-2061-2062-2061-2062-2061-2060-2061-2060-2061-2062-2061-2063-2064-2061	ISS395 MA111
42	02041-2043	DT1484A KRC1045-R1K7P
43	IC200	TK15420WTL A2000442
44	IC211-213	MM74HC4051JX TC74HC4051AF IEL-F1
45	IC204-205	MM74HC4052JX TC74HC4052AF IEL-F1
46	IC206-221-224	MM74HC4053JX TC74HC4053AF IEL-F1

POINT (D-1) XL210 (Pin 9 of IC202)



to A-VIDEO 2/2

\* All voltages are measured with a 10MΩ DC electronic voltmeter.  
 \* Components having special characteristics are marked with a triangle and must be replaced with parts having specifications or those originally installed.  
 \* Schematic diagram is subject to change without notice.

● 電圧は、内部抵抗10MΩの電圧計で測定したものです。  
 ● 三角形のある部品は、安全性確保部品を示しています。部品の交換が必要な場合、パーツリストに記載されている部品を使用していただきます。  
 ● 本回路図は標準回路図です。改良のため予告なく変更することがございます。

A-VIDEO 2/2

Page 130 [F4] to OPERATION (3)\_CB807

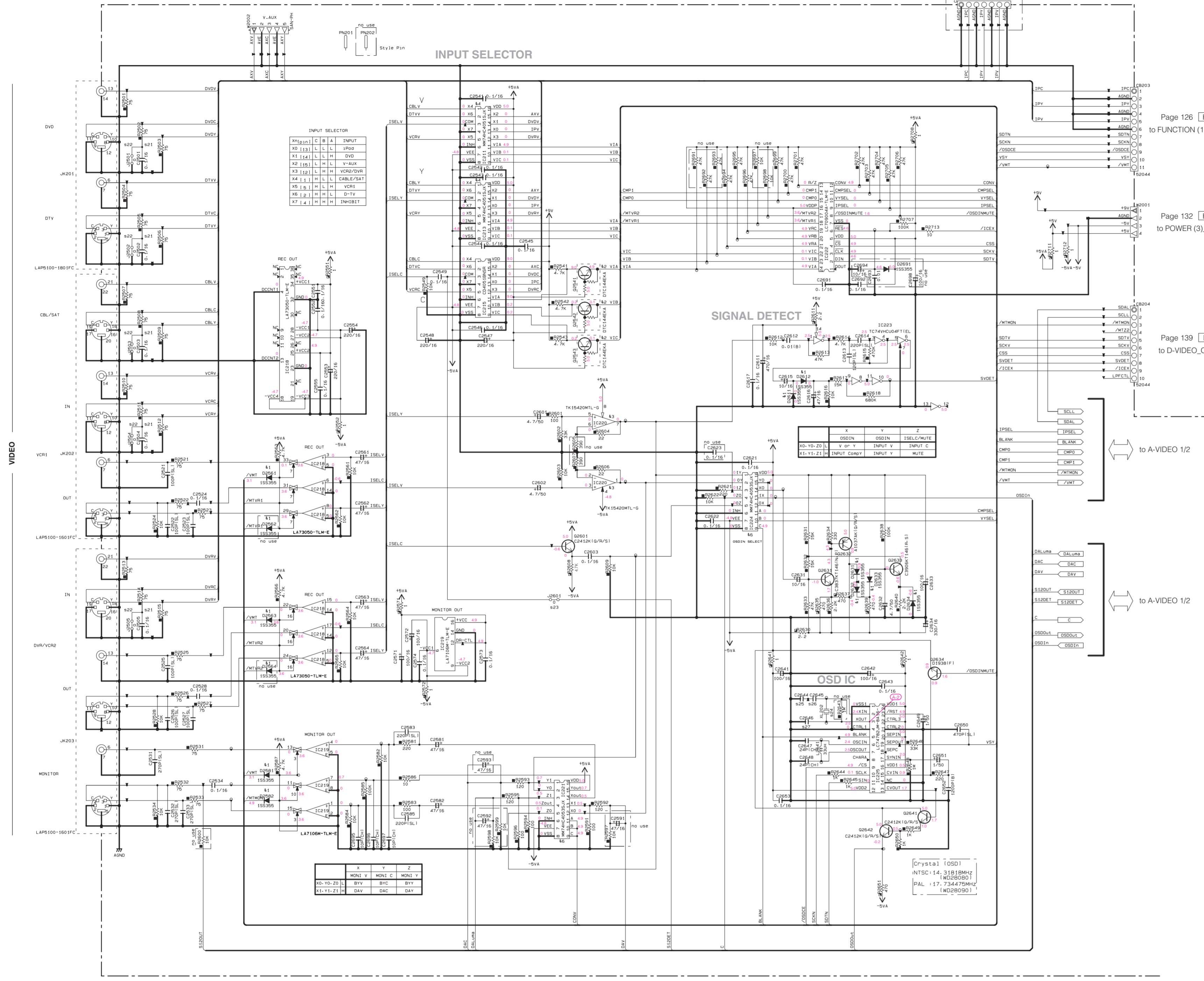


Table with 3 columns: Pin, Symbol, Description. Includes pins 1-11 and their corresponding signals like VCC, COM, Y, etc.

Page 126 [H8] to FUNCTION (1)\_CB410

Page 132 [H5] to POWER (3)\_CB23

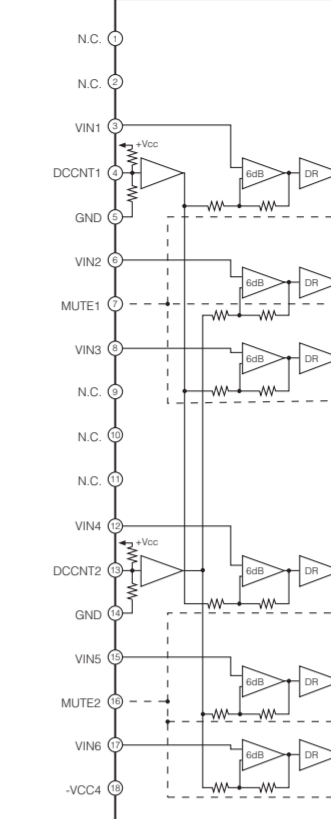
Page 139 [L4] to D-VIDEO\_CB185

NOTICE (note 1) (J) JAPAN (U) U.S.A (C) CANADA (R) GENERAL (T) CHINA (K) KOREA (A) AUSTRALIA (B) BRITISH (G) EUROPE (L) SINGAPORE (E) SOUTH EUROPE (V) TAIWAN (F) RUSSIAN

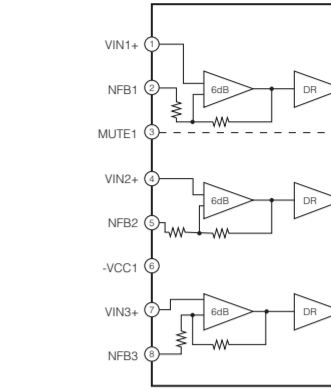
RESISTOR table with columns: NO. MARK, PARTS NAME, and symbols for various resistor types like carbon film, metal oxide film, etc.

CAPACITOR table with columns: NO. MARK, PARTS NAME, and symbols for various capacitor types like electrolytic, tantalum, ceramic, etc.

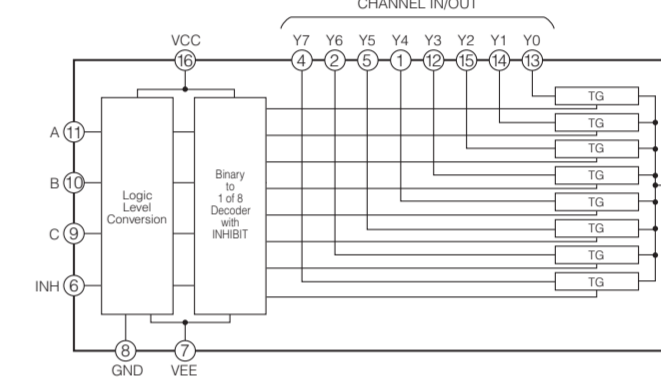
IC218: LA73050-TLM-E Analog dual operational amplifier



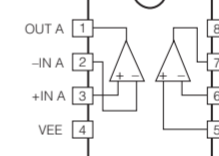
IC219: LA7106M-TLM-E Analog dual operational amplifier



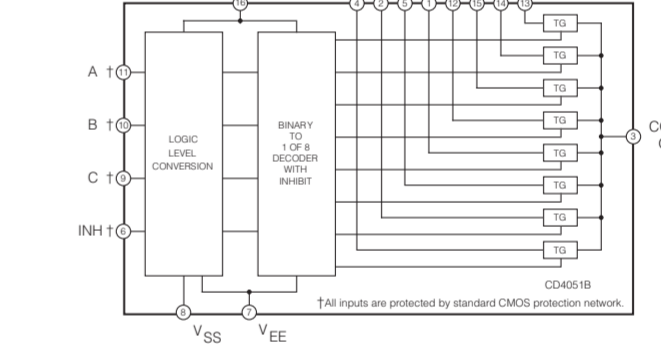
IC211, 213: MM74HC4051SJX 8-channel analog multiplexer



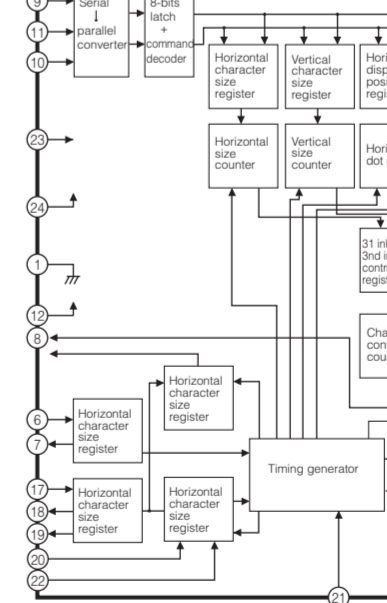
IC220: TK15420M Video amplifier



IC215: CD4051BNSR Single 8-channel multiplexer



IC225: LC74782JM-8A16-TLMC The on-screen display controller LSI



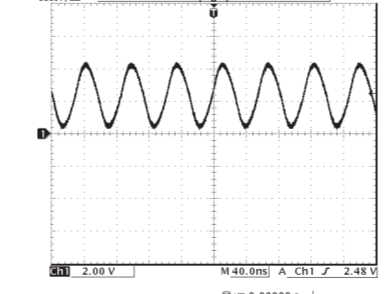
Pin list for IC225: LC74782JM-8A16-TLMC, listing pins 1-24 and their functions like VDD1, RST, CTRL3, etc.

All voltages are measured with a 10MΩ/V DC electronic voltmeter. Components having special characteristics are marked \* and must be replaced with parts having specifications equal to those originally installed. Schematic diagram is subject to change without notice.

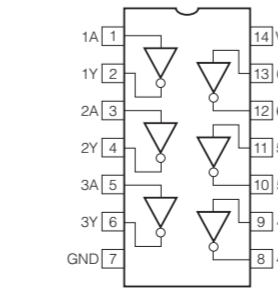
電圧は、内部抵抗10MΩの電圧計で測定したものです。\*印のある部品は、安全性確保部品を示しています。部品の交換が必要な場合、パーツリストに記載されている部品を使用してください。本回路図は標準回路図です。改良のため予告なく変更することがございます。

Destination Part List table with columns: SxX, LDC, U.C, Bk, T-A-B-G-L-E, and other part identifiers.

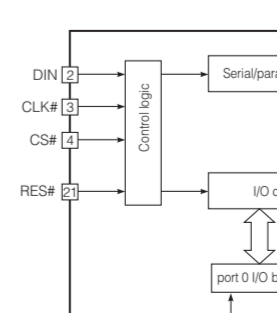
POINT (A-2) XL202 (Pin 3 of IC225)



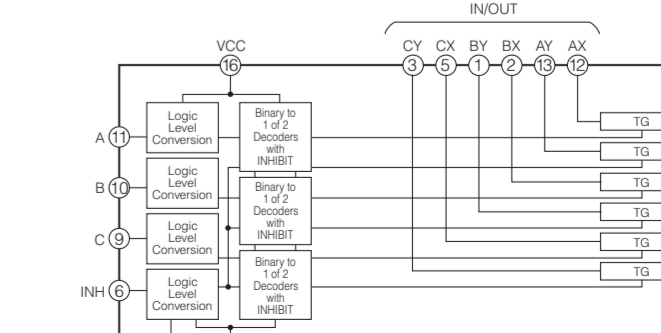
IC223: TC74VHC04FT Hex inverters



IC222: LC70900A-TLM-E I/O-expander for microcontroller

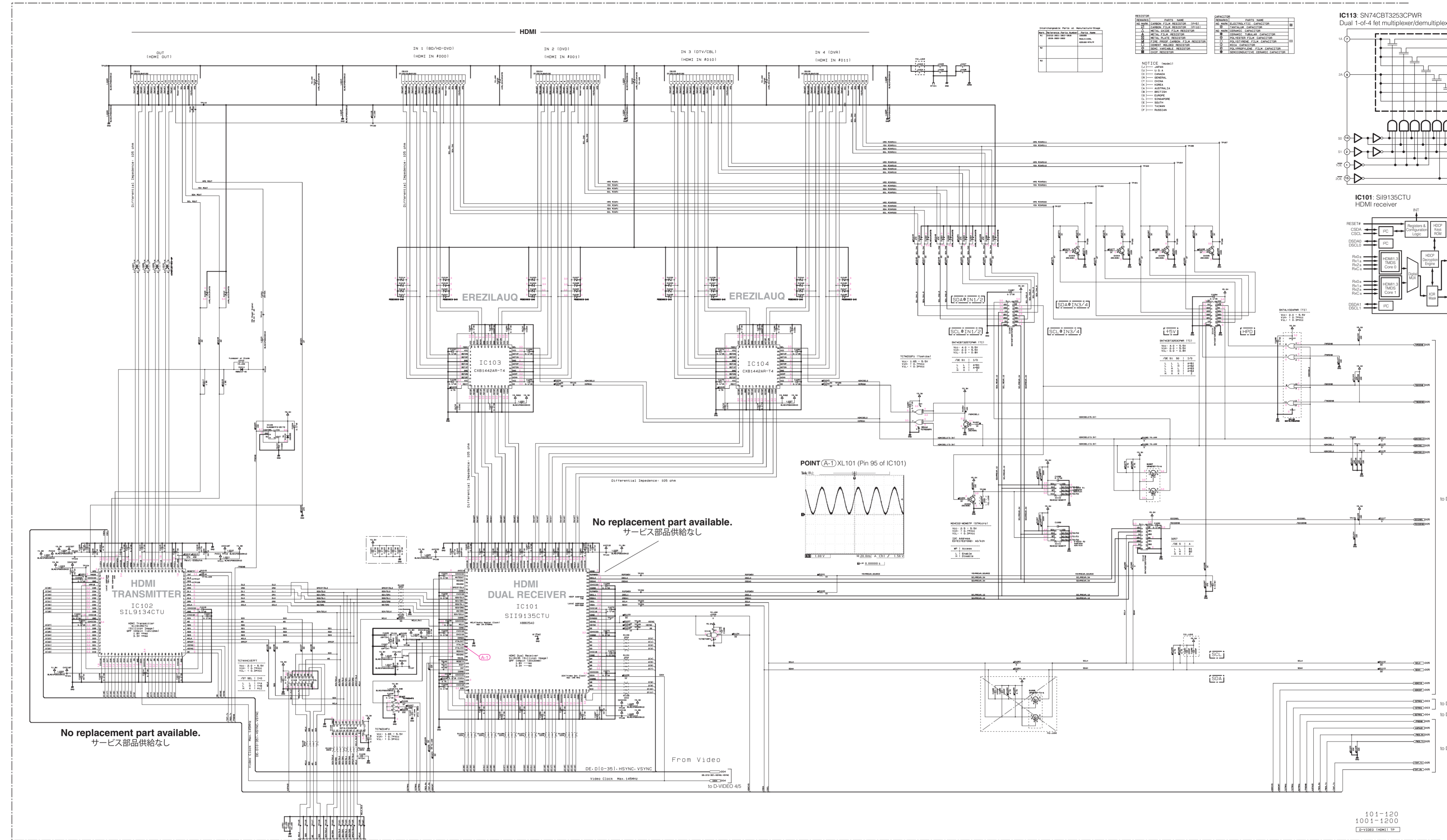


IC221, 224: MM74HC4053SJX Triple 2-channel analog multiplexer



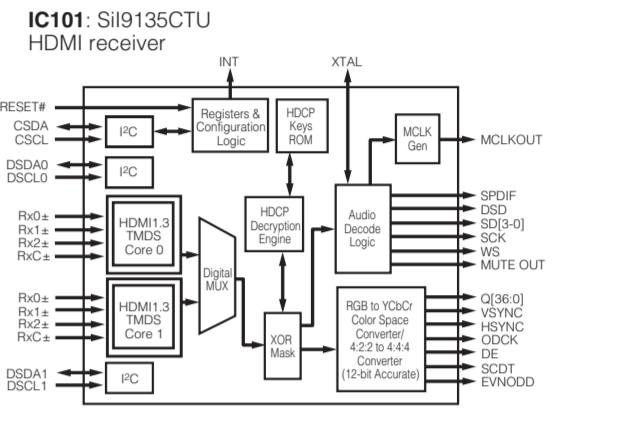
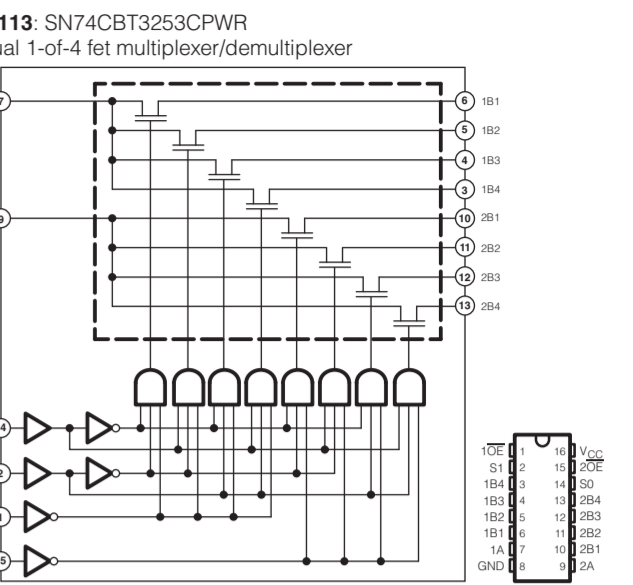
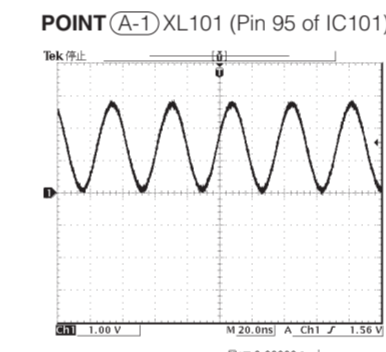


D-VIDEO 1/5



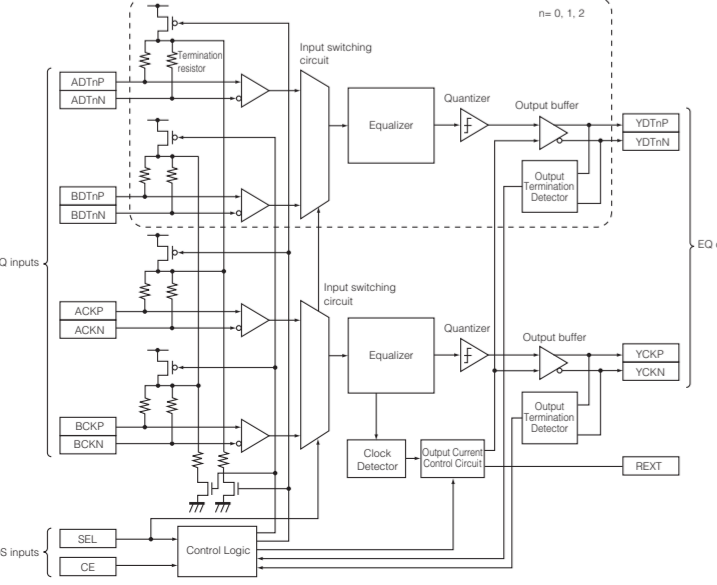
No replacement part available. サービス部品供給なし

No replacement part available. サービス部品供給なし

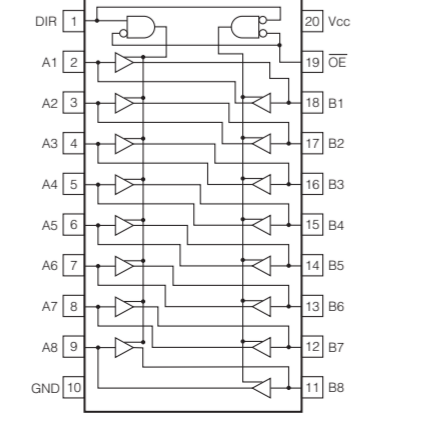


Page 141 B2 to FL (2)\_CB953

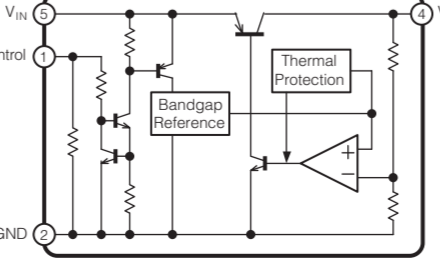
IC103, 104: CXB1442AR-T4 Cable equalizer with 2-system switching function



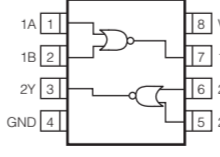
IC105: SN74LV245APWR Octal bus transceivers with 3-state outputs



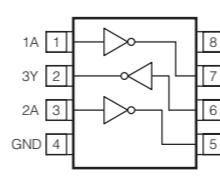
IC106: NJM2867F3-05 Low dropout voltage regulator



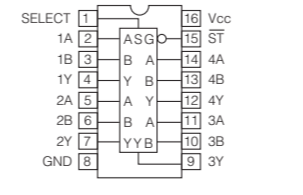
IC114: TC7W202FK 2 input nor gate



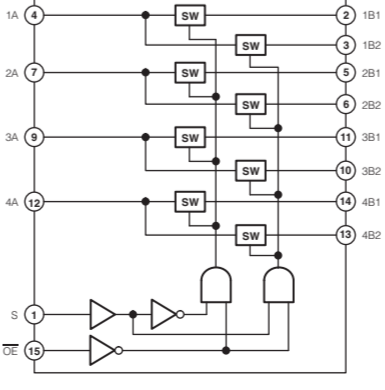
IC107: TC7W204FK Triple inverter



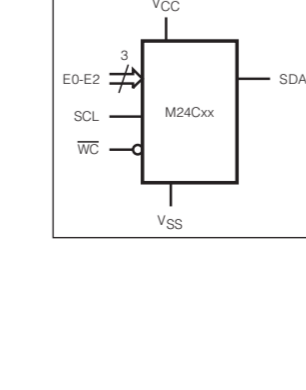
IC108: TC74VHC157FT Quad 2-channel multiplexer



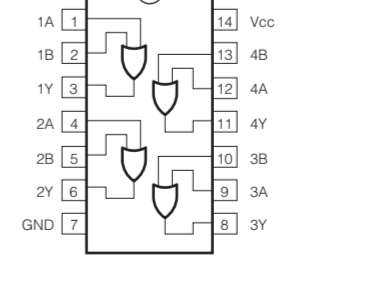
IC109, 112: SN74CBT3257CPWR 4-bit 1-of-2 1st multiplexer/demultiplexer



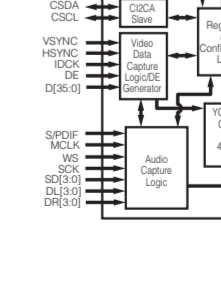
IC110, 111: M24C02-WD6TP 2 K-bit serial I2C bus EEPROM



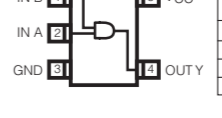
IC115: SN74LV32APWR Quaduple 2-input positive-OR gates



IC102: SII9134CTU HDMI transmitter



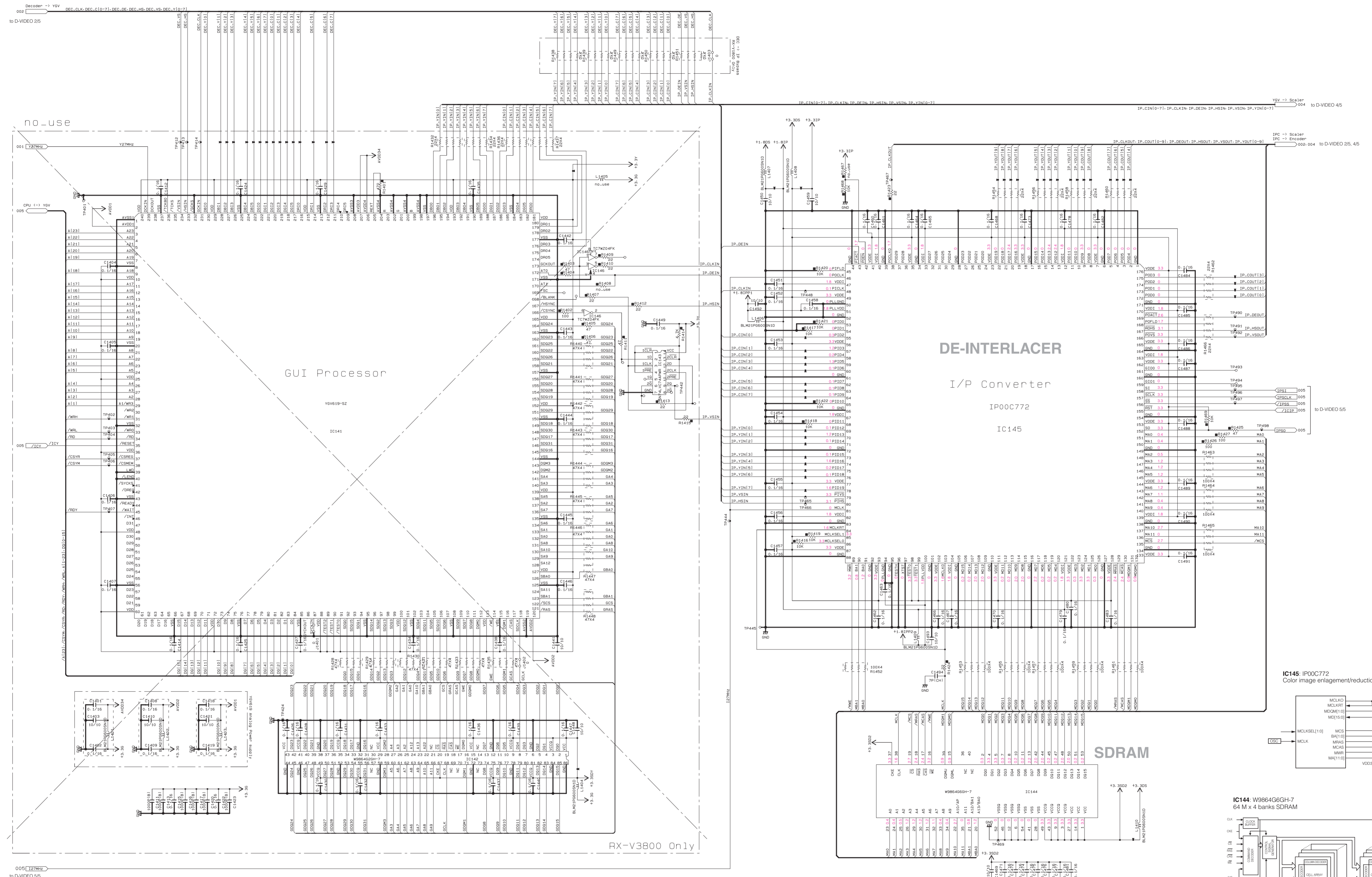
IC116: TC7SET08FU 2 input AND gate



- All voltages are measured with a 10MΩ/V DC electronic voltmeter.
- Components having special characteristics are marked with a triangle (▲), and must be replaced with parts having specifications equal to those originally installed.
- Schematic diagram is subject to change without notice.
- 電圧は、内部抵抗10MΩの電圧計で測定したものです。
- ▲印のある部品は、安全性確保部品を示しています。部品の交換が必要な場合、パーツリストに記載されている部品を使用してください。
- 本回路図は標準回路図です。改良のため予告なく変更することがございます。



D-VIDEO 3/5



to D-VIDEO 5/5

\* All voltages are measured with a 10MΩ/DC electronic voltmeter.  
 \* Components having special characteristics are marked with a triangle and must be replaced with parts having specifications equal to those originally installed.  
 \* Schematic diagram is subject to change without notice.

●電圧は、内部抵抗10MΩの電圧計で測定したものです。  
 ●△印のある部品は、安全性確保部品を示しています。部品の交換が必要な場合、パーツリストに記載されている部品を使用してください。  
 ●本回路図は標準回路図です。改良のため予告なく変更することがございます。

RESISTOR

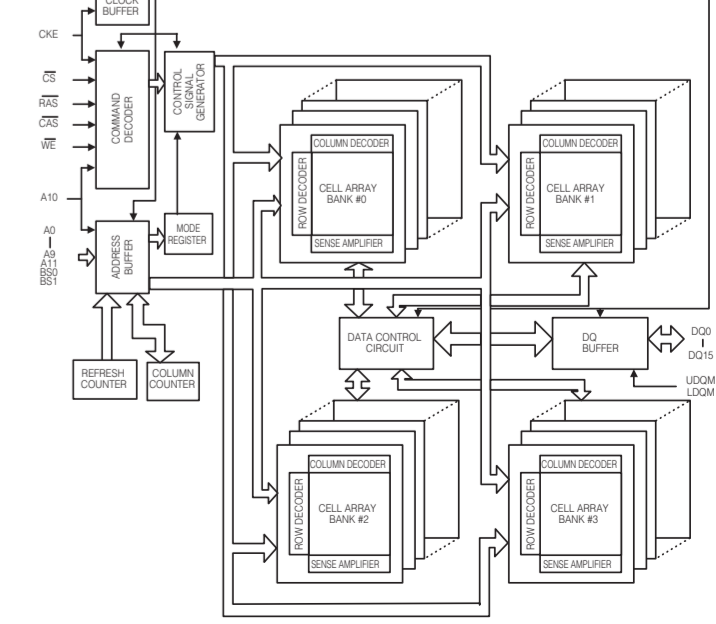
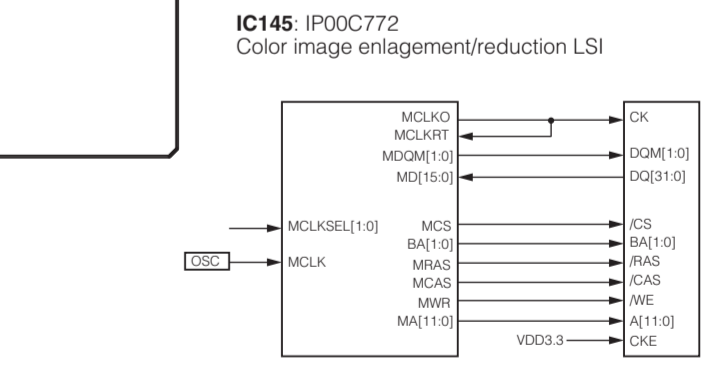
REMARKS	PARTS NAME
NO MARK	CARBON FILM RESISTOR (P=5)
□	CARBON FILM RESISTOR (P=10)
△	METAL OXIDE FILM RESISTOR
▲	METAL FILM RESISTOR
⊖	POLYESTER FILM CAPACITOR
⊕	FILM PROOF CARBON FILM RESISTOR
■	CEMENT MOLDED RESISTOR
◇	SEMI VARIABLE RESISTOR
⊙	CHIP RESISTOR

CAPACITOR

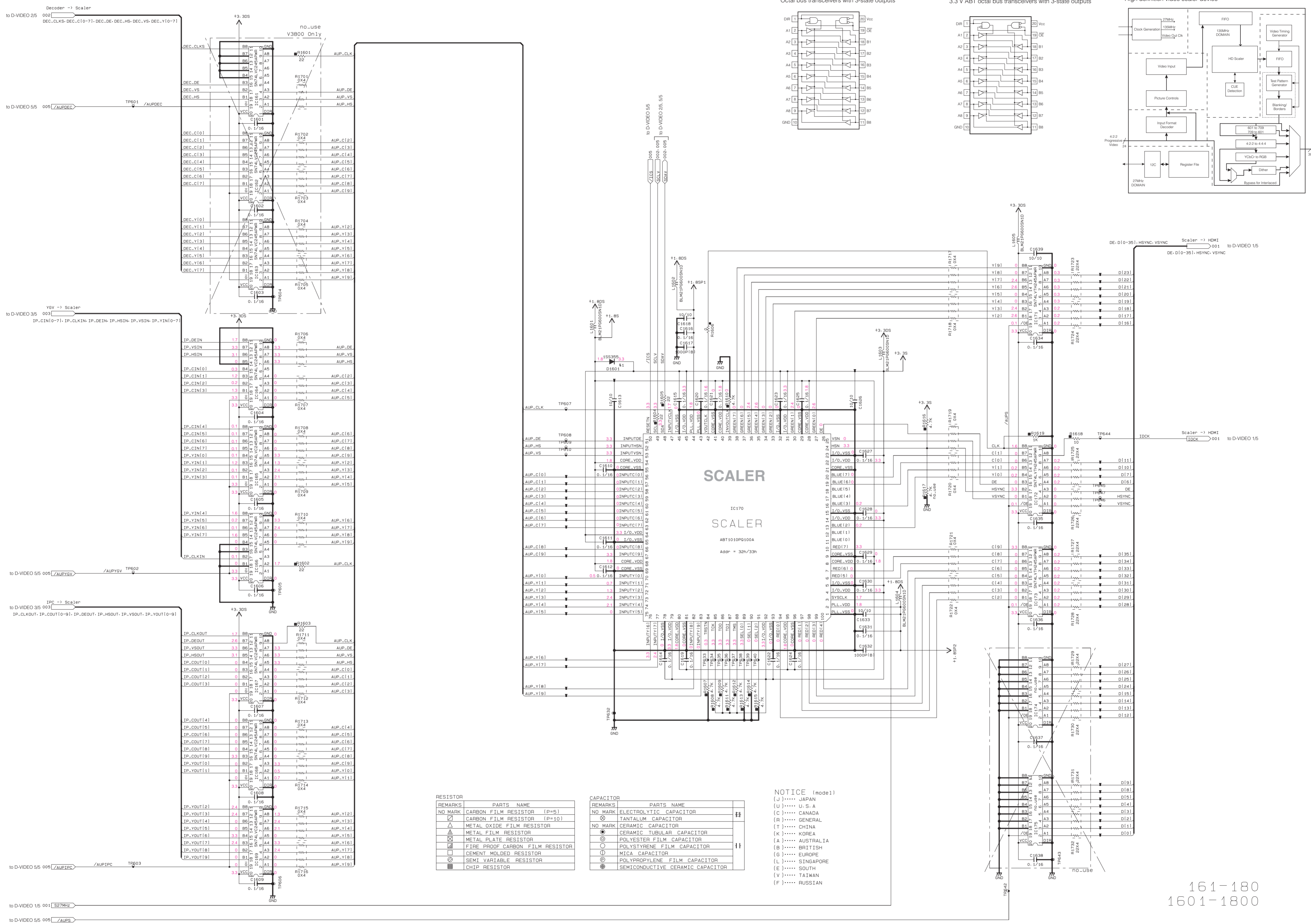
REMARKS	PARTS NAME
NO MARK	ELECTROLYTIC CAPACITOR
⊗	TANTALUM CAPACITOR
○	CERAMIC CAPACITOR
⊖	CERAMIC TUBULAR CAPACITOR
⊕	POLYESTER FILM CAPACITOR
⊙	POLYSTYRENE FILM CAPACITOR
⊖	MICA CAPACITOR
⊕	POLYPROPYLENE FILM CAPACITOR
⊙	SEMICONDUCTIVE CERAMIC CAPACITOR

NOTICE (model)  
 (U)..... U.S.A.  
 (A)..... AUSTRALIA  
 (C)..... CANADA  
 (R)..... GENERAL  
 (K)..... KOREA  
 (T)..... CHINA  
 (B)..... BRITISH  
 (G)..... EUROPE  
 (L)..... SINGAPORE  
 (E)..... SOUTH  
 (V)..... TAIWAN  
 (F)..... RUSSIAN

141-160  
 1401-1600  
 GUI  
 Deinterlacer



D-VIDEO 4/5



REMARKS	PARTS NAME
NO MARK	CARBON FILM RESISTOR (P=5)
□	CARBON FILM RESISTOR (P=10)
△	METAL OXIDE FILM RESISTOR
▲	METAL FILM RESISTOR
■	METAL PLATE RESISTOR
▨	FINE PROOF CARBON FILM RESISTOR
□	CEMENT MOLDED RESISTOR
⊗	SEMI VARIABLE RESISTOR
■	CHIP RESISTOR

REMARKS	PARTS NAME
NO MARK	ELECTROLYTIC CAPACITOR
⊗	TANTALUM CAPACITOR
NO MARK	CERAMIC CAPACITOR
⊙	CERAMIC TUBULAR CAPACITOR
⊕	POLYESTER FILM CAPACITOR
○	POLYETHYLENE FILM CAPACITOR
⊖	MICA CAPACITOR
⊗	POLYPROPYLENE FILM CAPACITOR
⊙	SEMICONDUCTIVE CERAMIC CAPACITOR

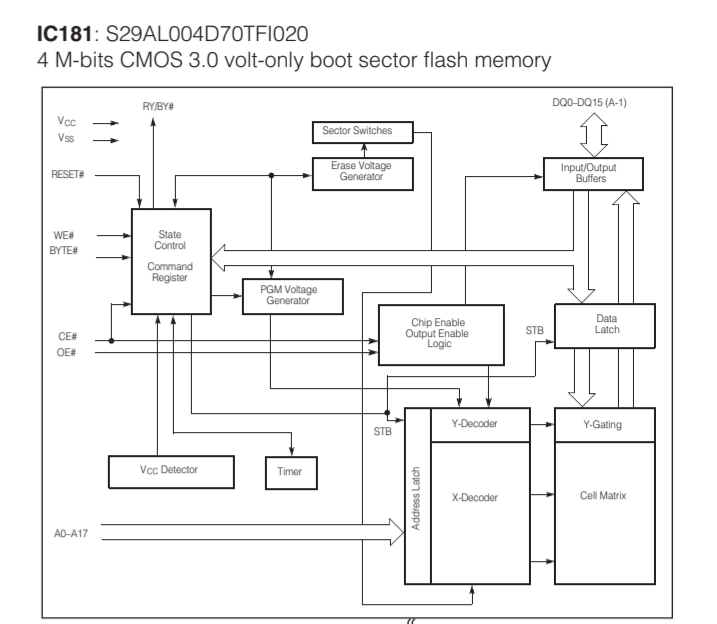
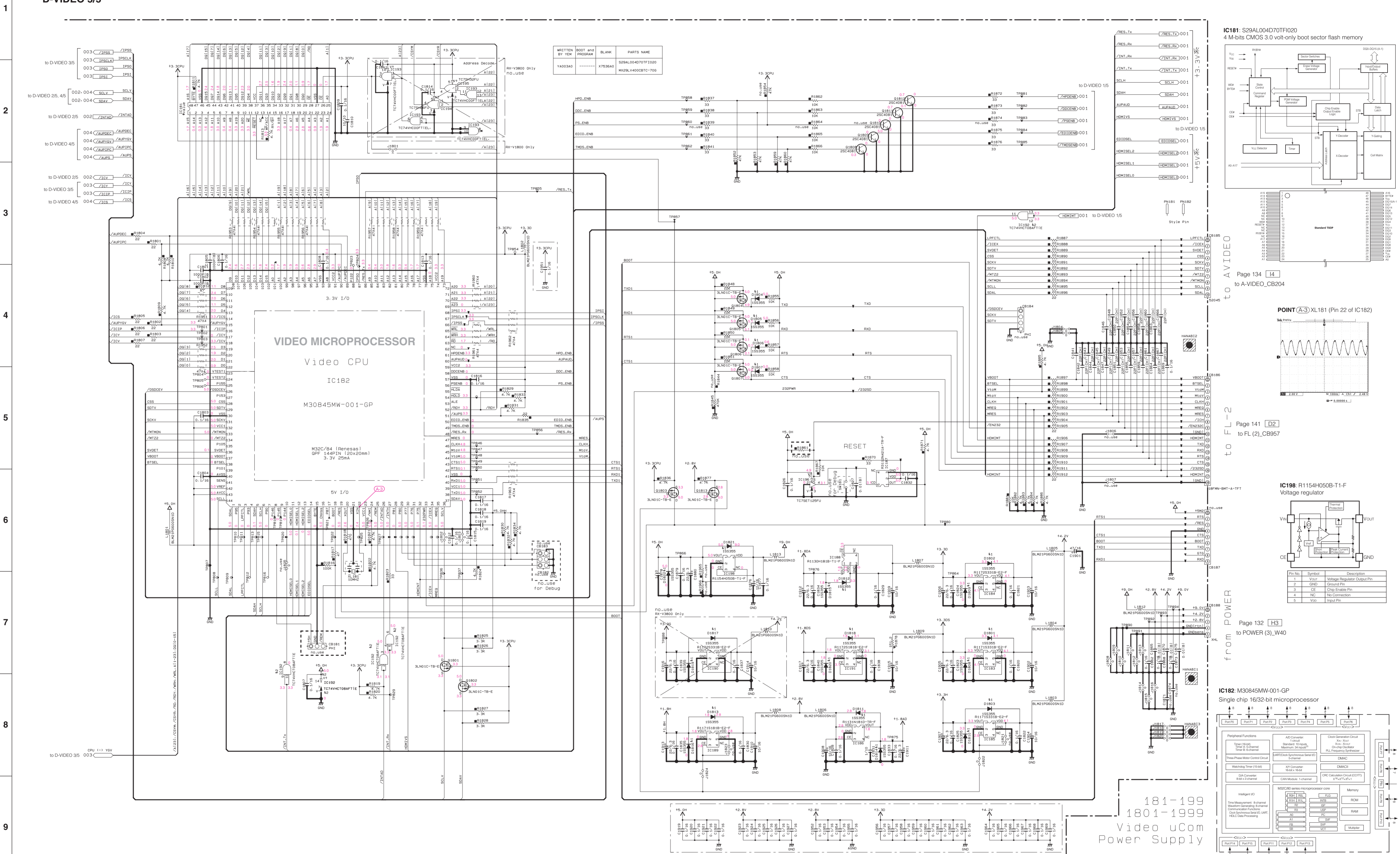
NOTICE (model)  
 (J)..... JAPAN  
 (U)..... U.S.A  
 (C)..... CANADA  
 (R)..... GENERAL  
 (T)..... CHINA  
 (K)..... KOREA  
 (A)..... AUSTRALIA  
 (B)..... BRITISH  
 (E)..... EUROPE  
 (L)..... SINGAPORE  
 (S)..... SOUTH  
 (V)..... TAIWAN  
 (F)..... RUSSIAN

161-180  
 1601-1800  
 Scaler

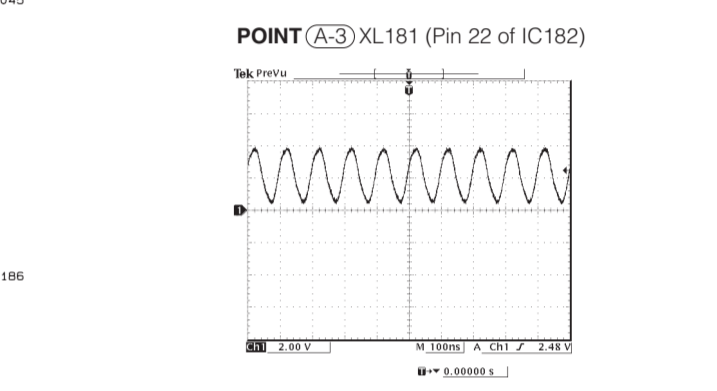
★ All voltages are measured with a 10MΩ/V DC electronic voltmeter.  
 ★ Components having special characteristics are marked with a triangle and must be replaced with parts having specifications equal to those originally installed.  
 ★ Schematic diagram is subject to change without notice.

● 電圧は、内部抵抗10MΩの電圧計で測定したものです。  
 ● 1印のある部品は、安全性確保部品を示しています。部品の交換が必要な場合、パーツリストに記載されている部品を使用してください。  
 ● 本回路図は標準回路図です。改良のため予告なく変更することがございます。

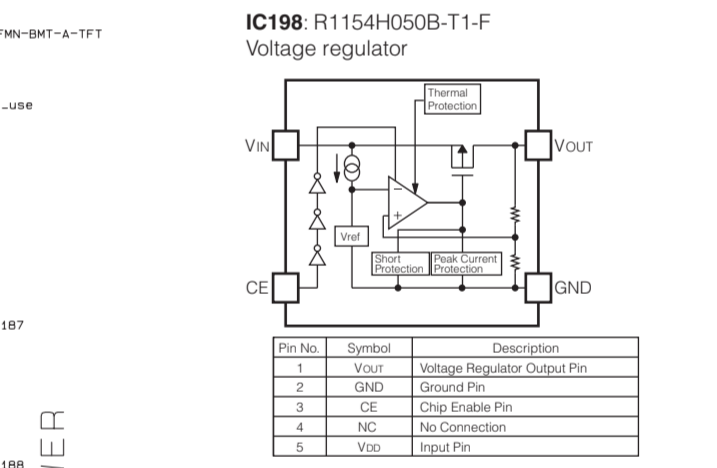
D-VIDEO 5/5



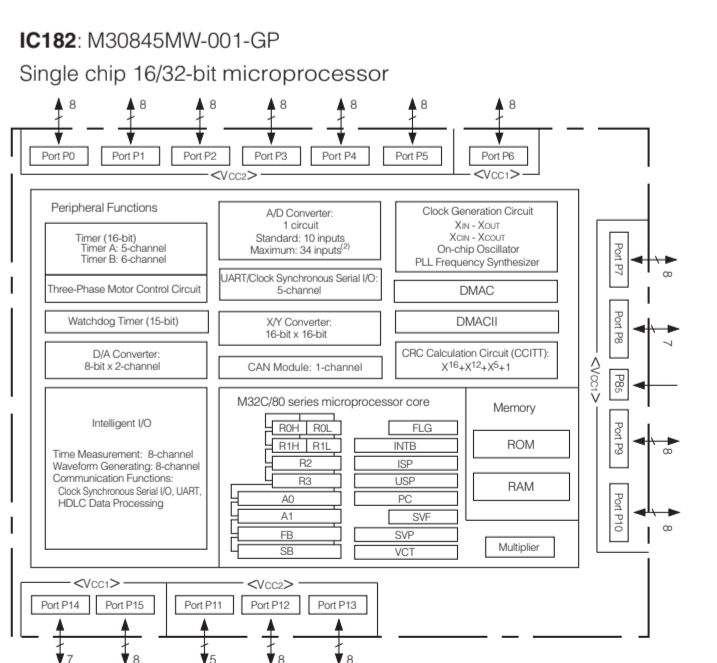
Page 134 [14] to A-VIDEO\_CB204



Page 141 [D2] to FL(2)\_CB957



Page 132 [H3] to POWER(3)\_W40



NOTE: Pins P11 to P15 provided in the 144 pin package only. 2 included in the 144 pin package only.

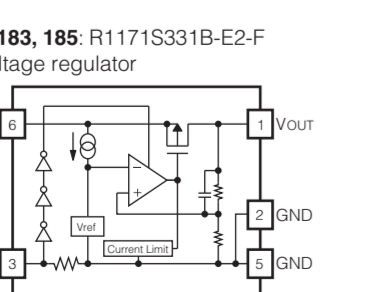


Table with 2 columns: Pin No. and Description. Rows include Vout, GND, CE, Chip Enable Pin, GND, and Vcc.

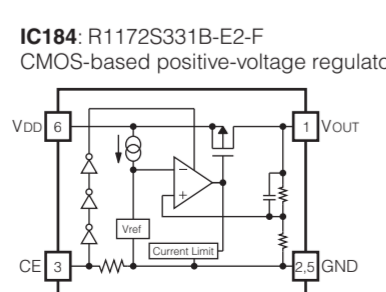


Table with 2 columns: Pin No. and Description. Rows include Vout, GND, CE, Chip Enable Pin, GND, and Vcc.

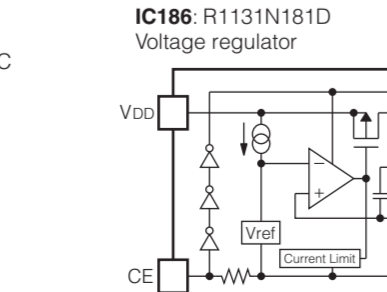


Table with 2 columns: Pin No. and Description. Rows include Vout, GND, CE, Chip Enable Pin, GND, and Vcc.

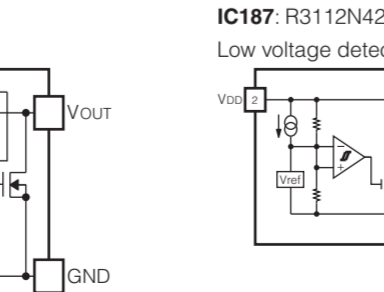


Table with 2 columns: Pin No. and Description. Rows include Vout, GND, CE, Chip Enable Pin, GND, and Vcc.

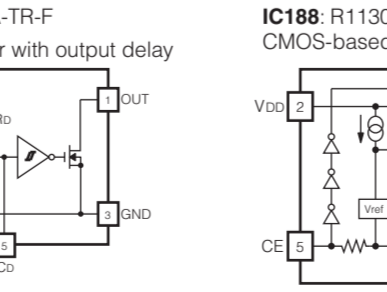


Table with 2 columns: Pin No. and Description. Rows include Vout, GND, CE, Chip Enable Pin, GND, and Vcc.

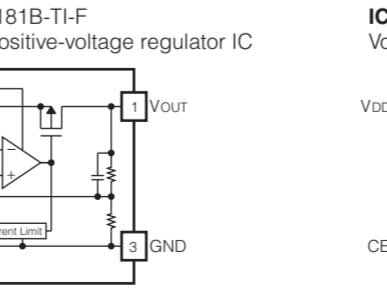


Table with 2 columns: Pin No. and Description. Rows include Vout, GND, CE, Chip Enable Pin, GND, and Vcc.

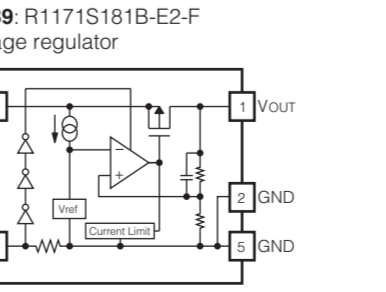


Table with 2 columns: Pin No. and Description. Rows include Vout, GND, CE, Chip Enable Pin, GND, and Vcc.

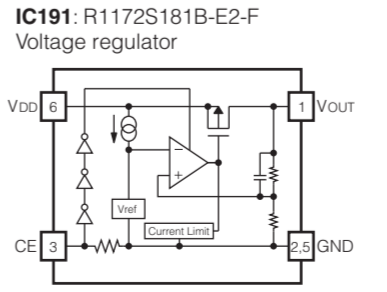


Table with 2 columns: Pin No. and Description. Rows include Vout, GND, CE, Chip Enable Pin, GND, and Vcc.

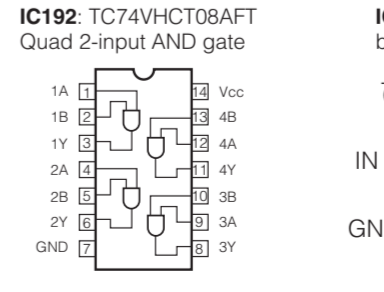


Table with 2 columns: Pin No. and Description. Rows include Vout, GND, CE, Chip Enable Pin, GND, and Vcc.

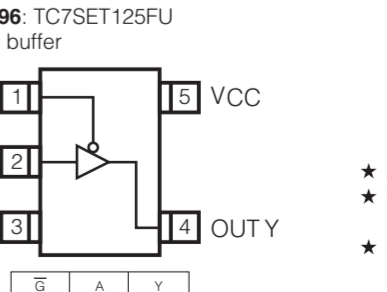
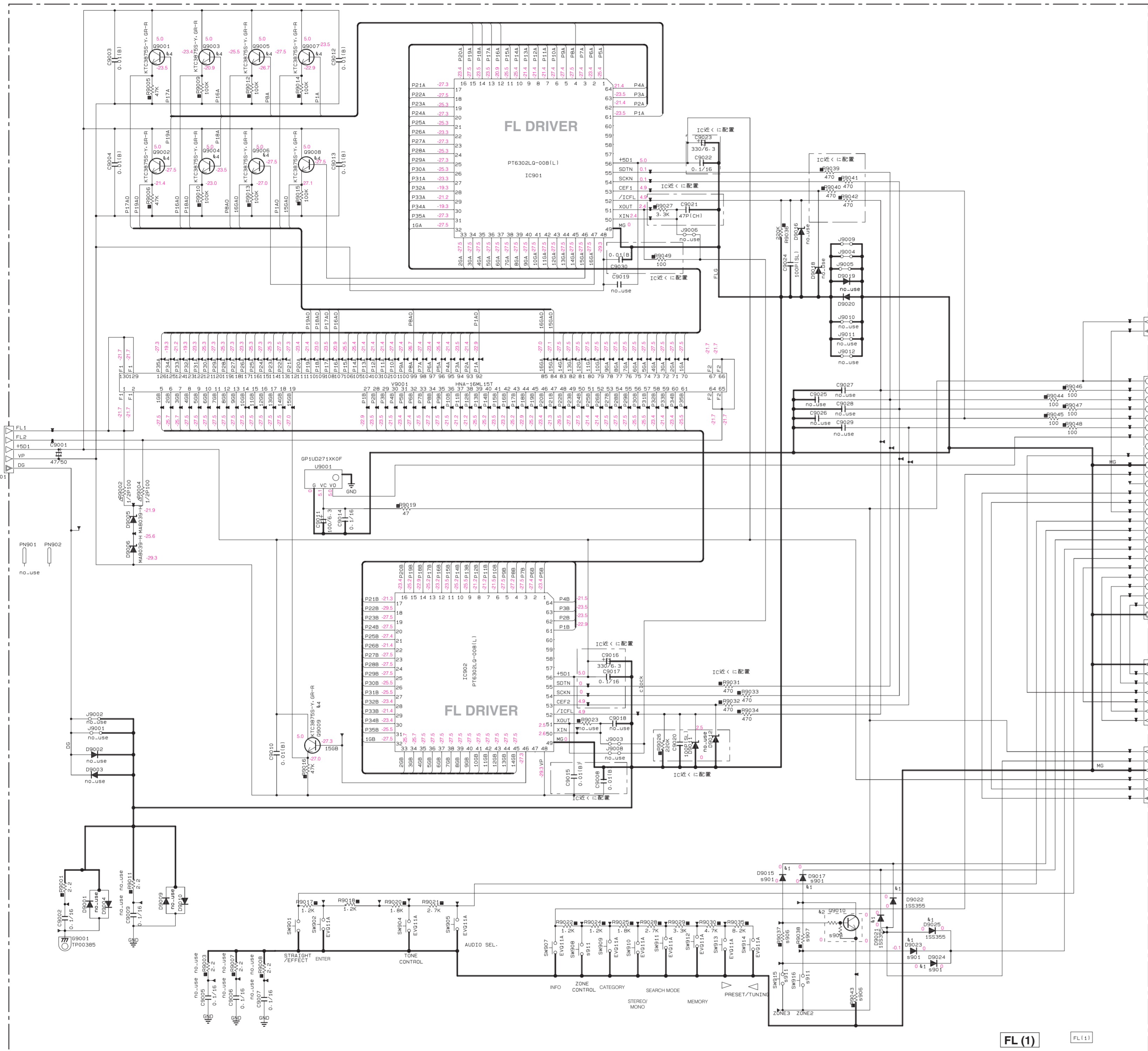


Table with 2 columns: Pin No. and Description. Rows include Vout, GND, CE, Chip Enable Pin, GND, and Vcc.

\* All voltages are measured with a 10MΩ/V DC electronic voltmeter. \* Components having special characteristics are marked with a triangle and must be replaced with parts having specifications equal to those originally installed. \* Schematic diagram is subject to change without notice.

●電圧は、内部抵抗10MΩの電圧計で測定したものです。 ●△印のある部品は、安全確保部品を示しています。部品の交換が必要な場合、パーツリストに記載されている部品を使用してください。 ●本回路図は標準回路図です。改良のため予告なく変更することがございます。

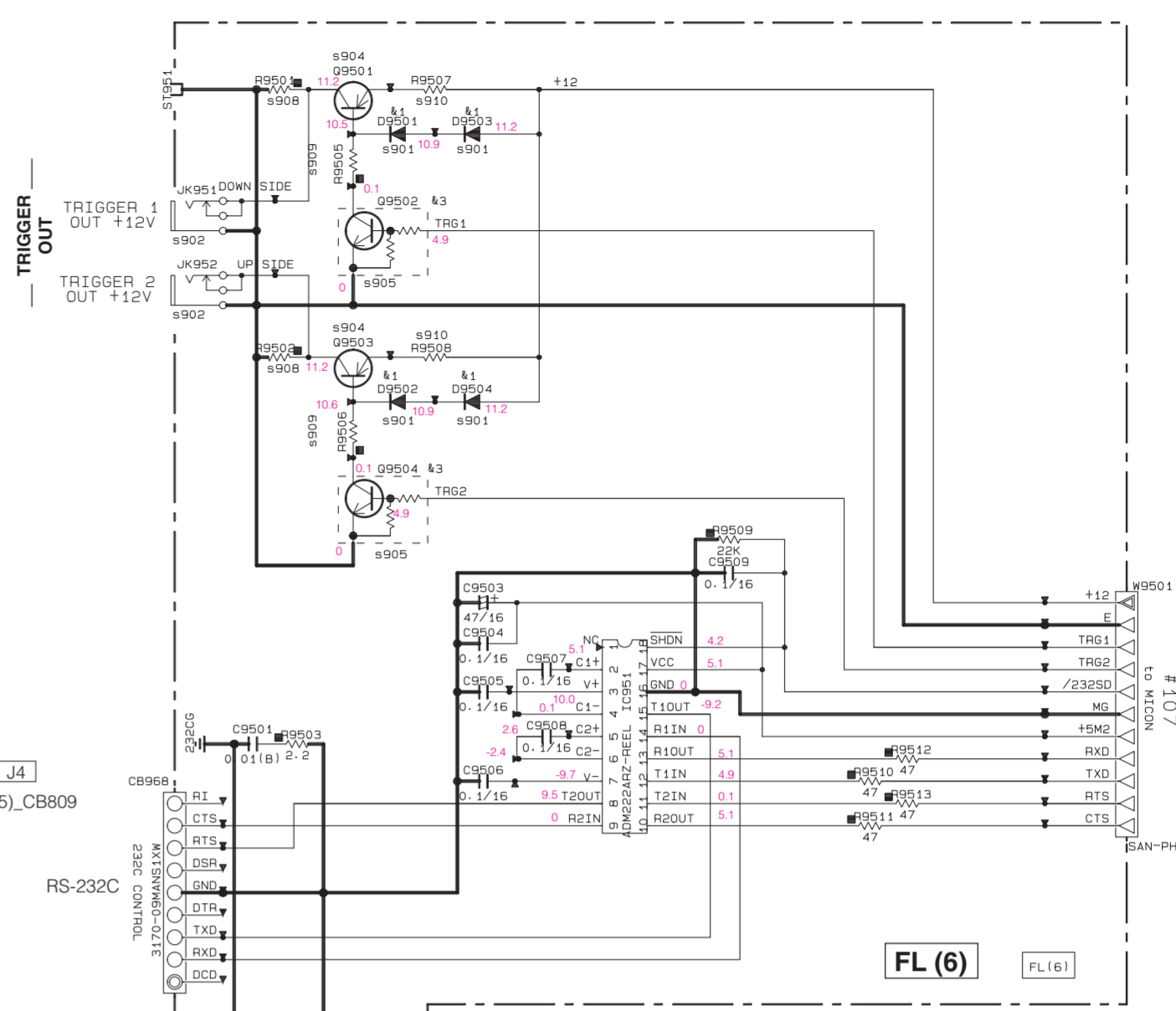


Page 130 [J4] to OPERATION (5)\_CB809

Page 141 [K5] to FL (2)\_CB970

Page 130 [L3] to OPERATION (4)\_CB812

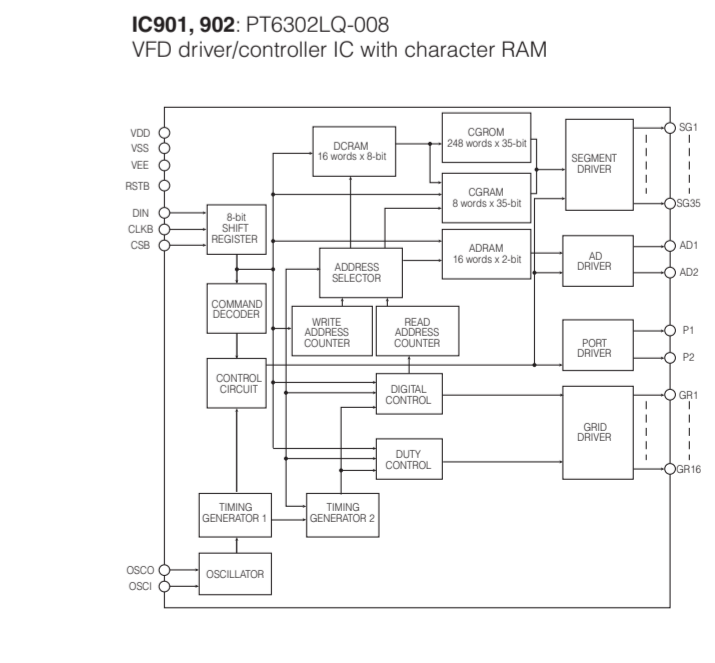
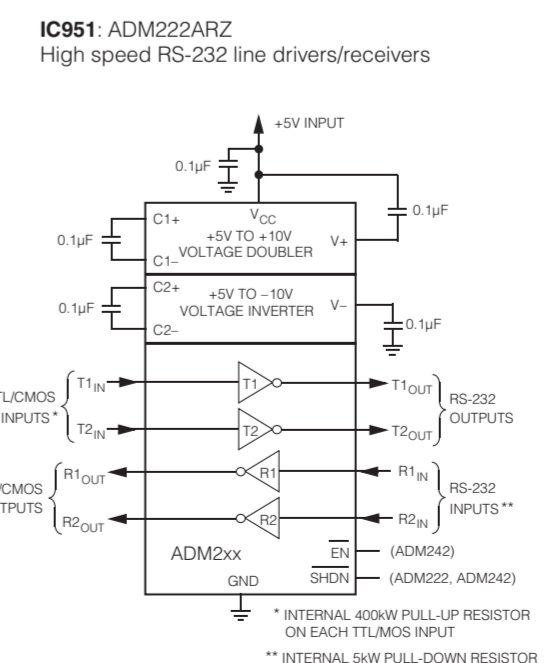
Page 130 [A2] to OPERATION (1)\_CB801



Page 136 [C8] to FUNCTION (1)\_CB405

sXX	LOC	J	U.C.R.T.K.A.B.G.L.E
s901	D9015	X	VT3290
	D9017		153395
	D9018		
	D9019		
	D9020		
	D9021		
	D9022		
	D9023		
	D9024		
	D9025		
	D9026		
	D9027		
	D9028		
	D9029		
	D9030		
	D9031		
	D9032		
	D9033		
	D9034		
	D9035		
	D9036		
	D9037		
	D9038		
	D9039		
	D9040		
	D9041		
	D9042		
	D9043		
	D9044		
	D9045		
	D9046		
	D9047		
	D9048		
	D9049		
	D9050		
	D9051		
	D9052		
	D9053		
	D9054		
	D9055		
	D9056		
	D9057		
	D9058		
	D9059		
	D9060		
	D9061		
	D9062		
	D9063		
	D9064		
	D9065		
	D9066		
	D9067		
	D9068		
	D9069		
	D9070		
	D9071		
	D9072		
	D9073		
	D9074		
	D9075		
	D9076		
	D9077		
	D9078		
	D9079		
	D9080		
	D9081		
	D9082		
	D9083		
	D9084		
	D9085		
	D9086		
	D9087		
	D9088		
	D9089		
	D9090		
	D9091		
	D9092		
	D9093		
	D9094		
	D9095		
	D9096		
	D9097		
	D9098		
	D9099		
	D9100		

Mark	Reference Parts Number	Parts Name
11	D9015-9017-9021-9025	153395
	9501-9504	MA2J1106L
12	D9010	KDS180-RTK/P
		DTC1146KA
		KRC1025-RTK/P
13	D9020-9504	DTC1446KA
		KRC1045-RTK/P
14	D9001-9009	KTC3875S-V-GR-RTK/P
		25C241K-G/R/S1
15		



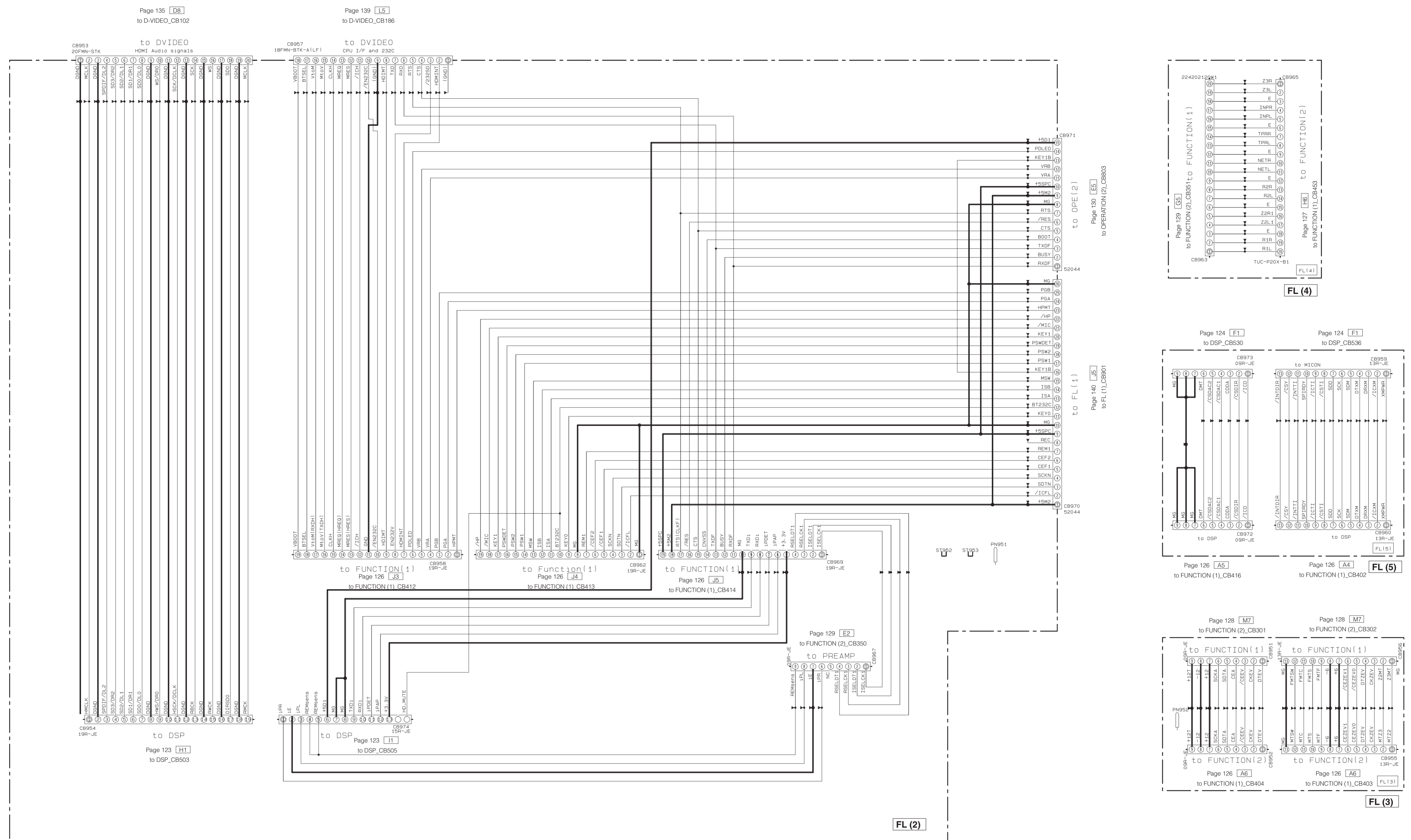
- ★ All voltages are measured with a 10MQ/V DC electronic voltmeter.
- ★ Components having special characteristics are marked \* and must be replaced with parts having specifications equal to those originally installed.
- ★ Schematic diagram is subject to change without notice.
- 電圧は、内部抵抗10MΩの電圧計で測定したものです。
- \*印のある部品は、安全性確保部品を示しています。部品の交換が必要な場合、パーツリストに記載されている部品を使用してください。
- 本回路図は標準回路図です。改良のため予告なく変更することがございます。

REMARKS	PARTS NAME
NO MARK	CARBON FILM RESISTOR (P=5)
□	CARBON FILM RESISTOR (P=10)
△	METAL OXIDE FILM RESISTOR
▲	METAL FILM RESISTOR
■	METAL PLATE RESISTOR
⊖	FIRE PROOF CARBON FILM RESISTOR
□	CEMENT MOLDED RESISTOR
⊕	SEMI VARIABLE RESISTOR
■	CHIP RESISTOR

REMARKS	PARTS NAME
NO MARK	ELECTROLYTIC CAPACITOR
⊖	TANTALUM CAPACITOR
NO MARK	CERAMIC CAPACITOR
⊖	CERAMIC TUBULAR CAPACITOR
⊖	POLYESTER FILM CAPACITOR
⊖	POLYSTYRENE FILM CAPACITOR
⊖	MICA CAPACITOR
⊖	POLYPROPYLENE FILM CAPACITOR
⊖	SEMICONDUCTIVE CERAMIC CAPACITOR
⊖	POLYPHENYLENE SULFIDE FILM CAPACITOR

NOTICE (mode1)  
 (J)..... JAPAN  
 (U)..... U.S.A  
 (C)..... CANADA  
 (R)..... GENERAL  
 (K)..... CHINA  
 (T)..... KOREA  
 (A)..... AUSTRALIA  
 (B)..... BRITISH  
 (G)..... EUROPE  
 (L)..... SINGAPORE  
 (E)..... SOUTH  
 (V)..... TAIWAN  
 (F)..... RUSSIAN

FL 2/2



\* All voltages are measured with a 10MΩ/V DC electronic voltmeter.  
 \* Components having special characteristics are marked with a triangle symbol and must be replaced with parts having specifications equal to those originally installed.  
 \* Schematic diagram is subject to change without notice.

● 電圧は、内部抵抗10MΩの電圧計で測定したものです。  
 ● 三角形のある部品は、安全性確保部品を示しています。部品の交換が必要な場合、パーツリストに記載されている部品を使用してください。  
 ● 本回路図は標準回路図です。改良のため予告なく変更することがございます。

NET 1/2

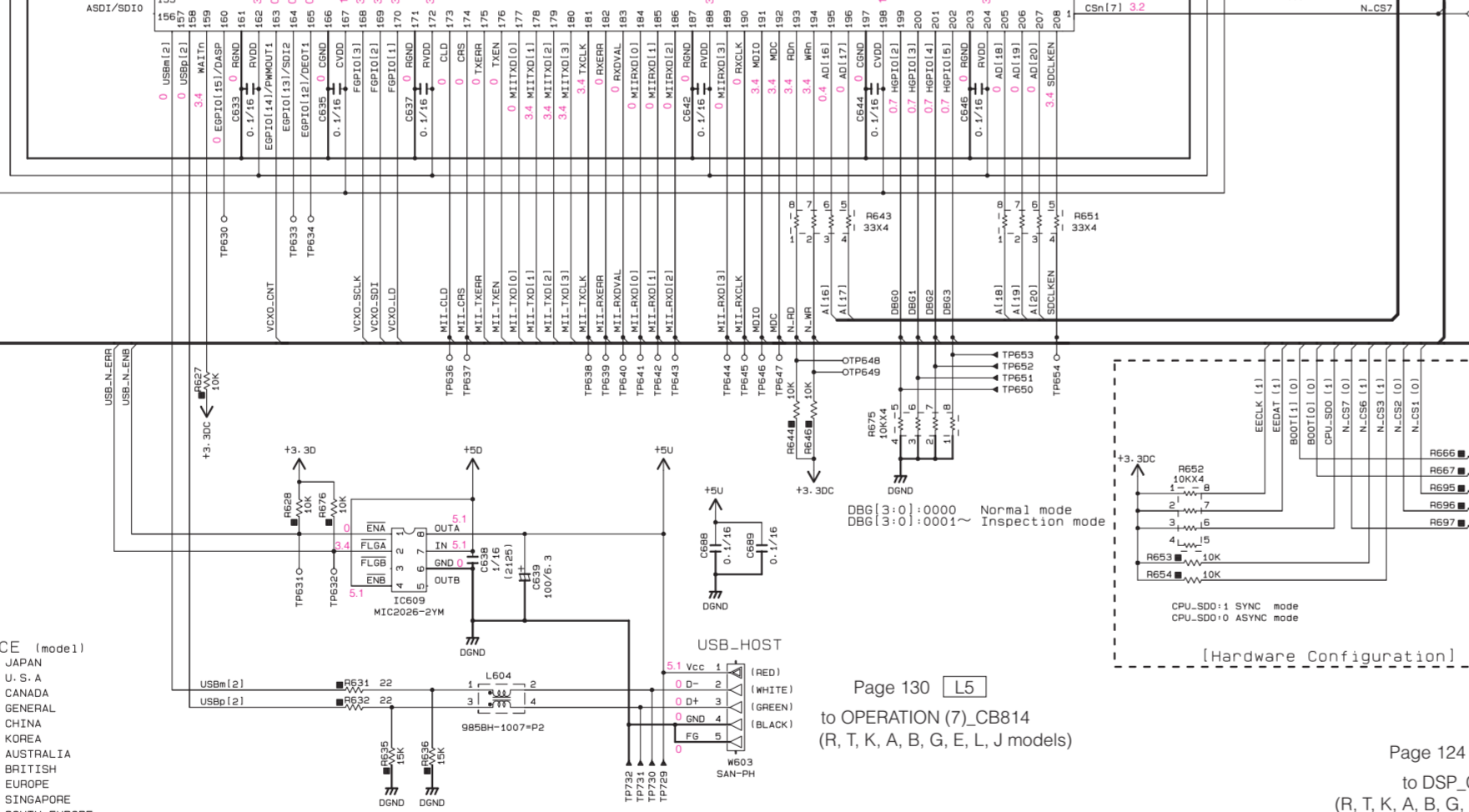
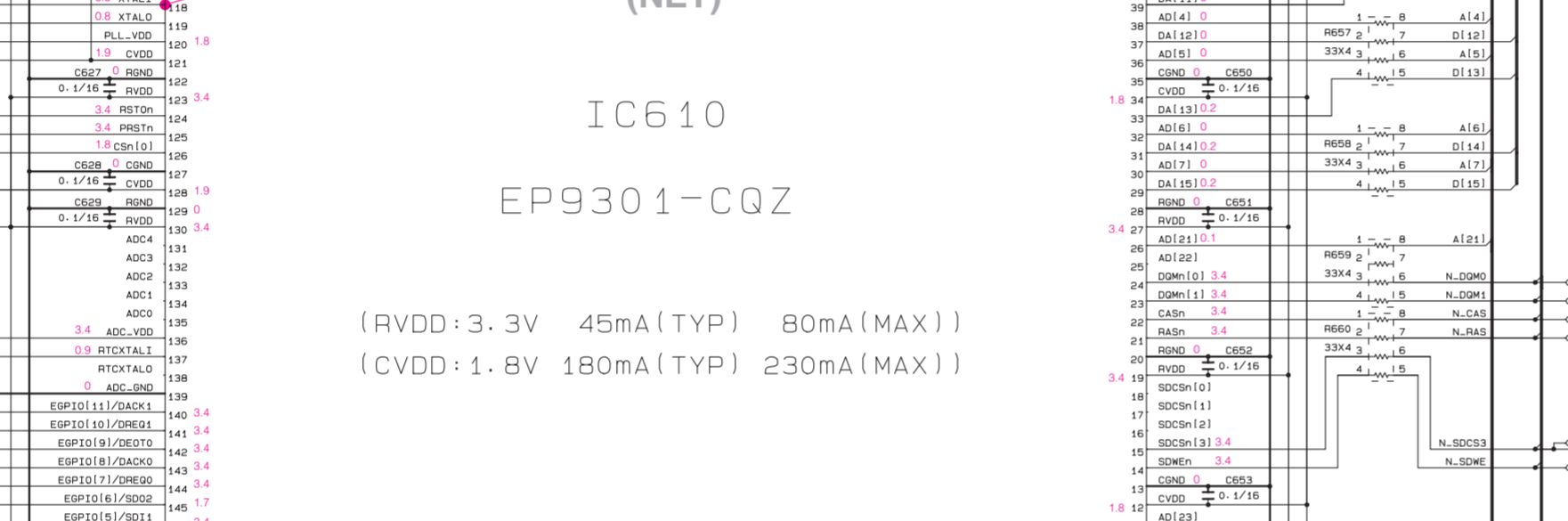
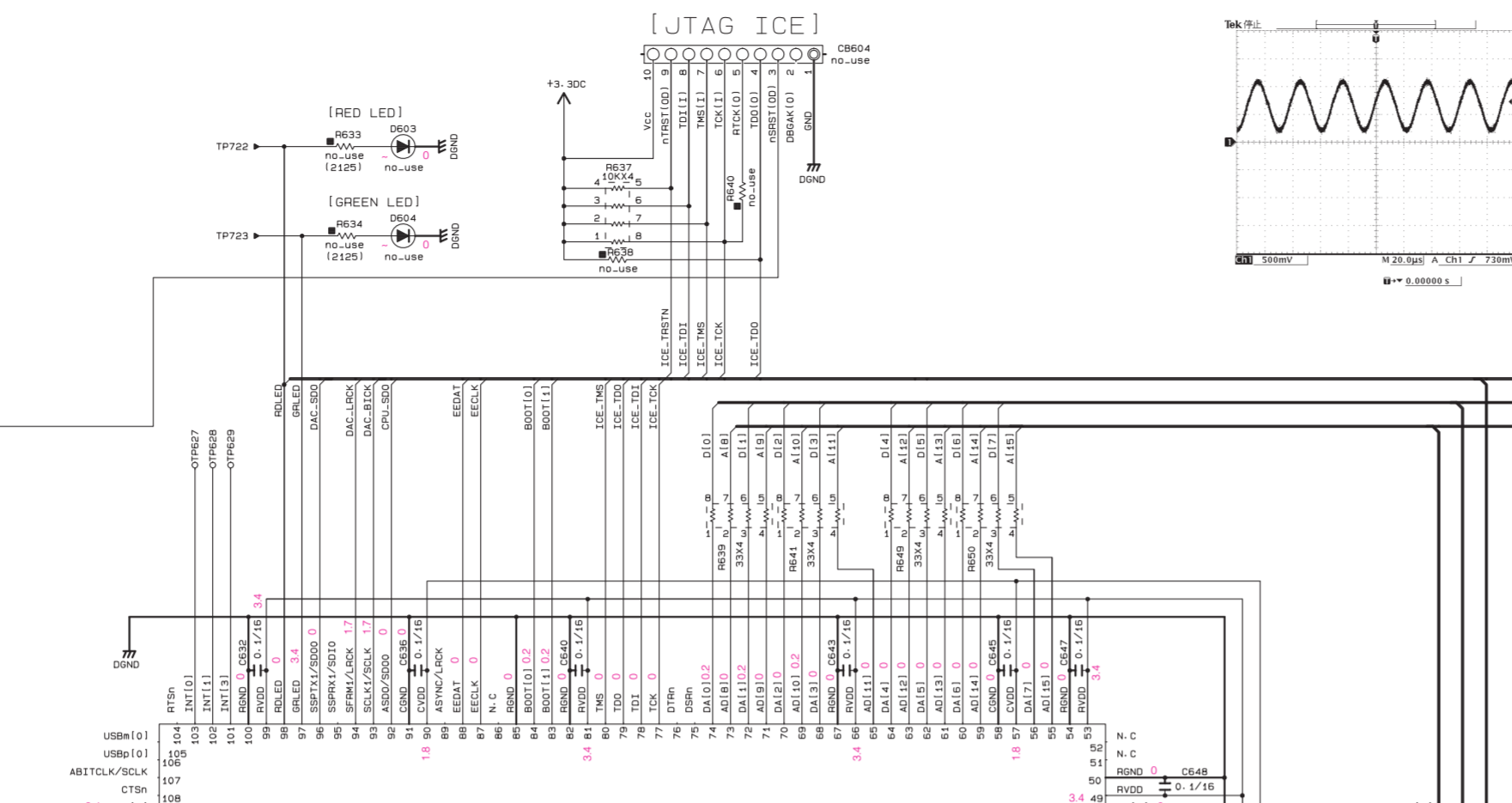
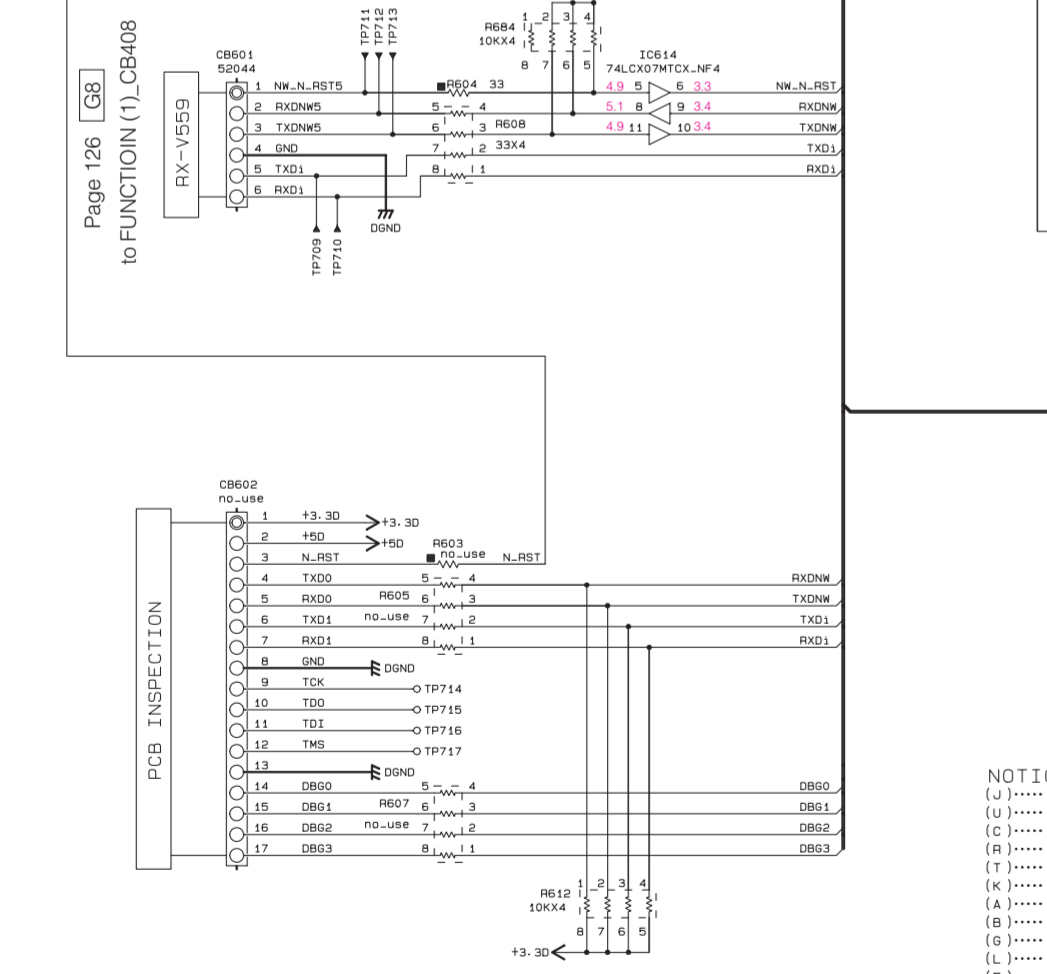
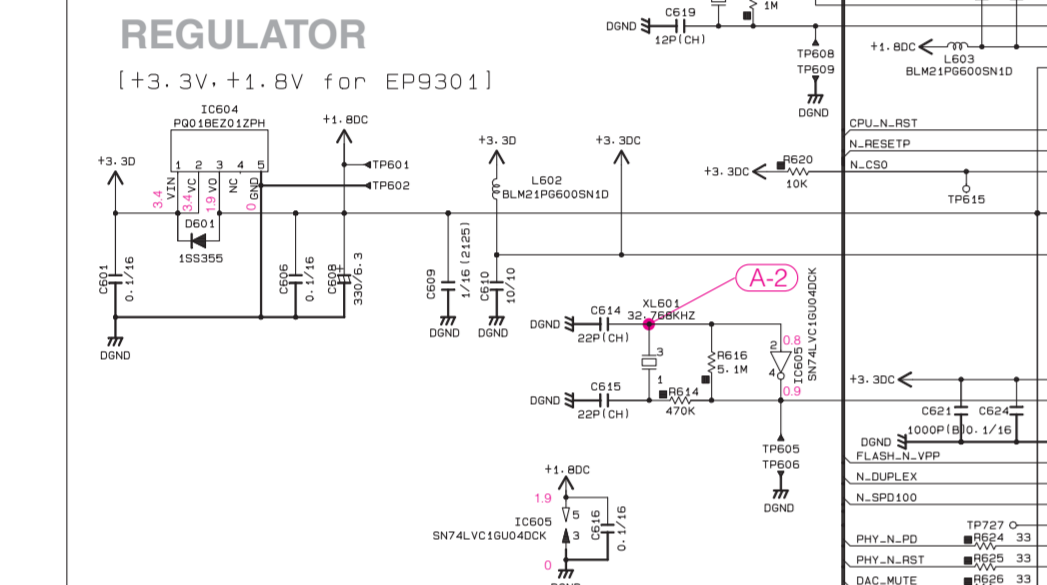
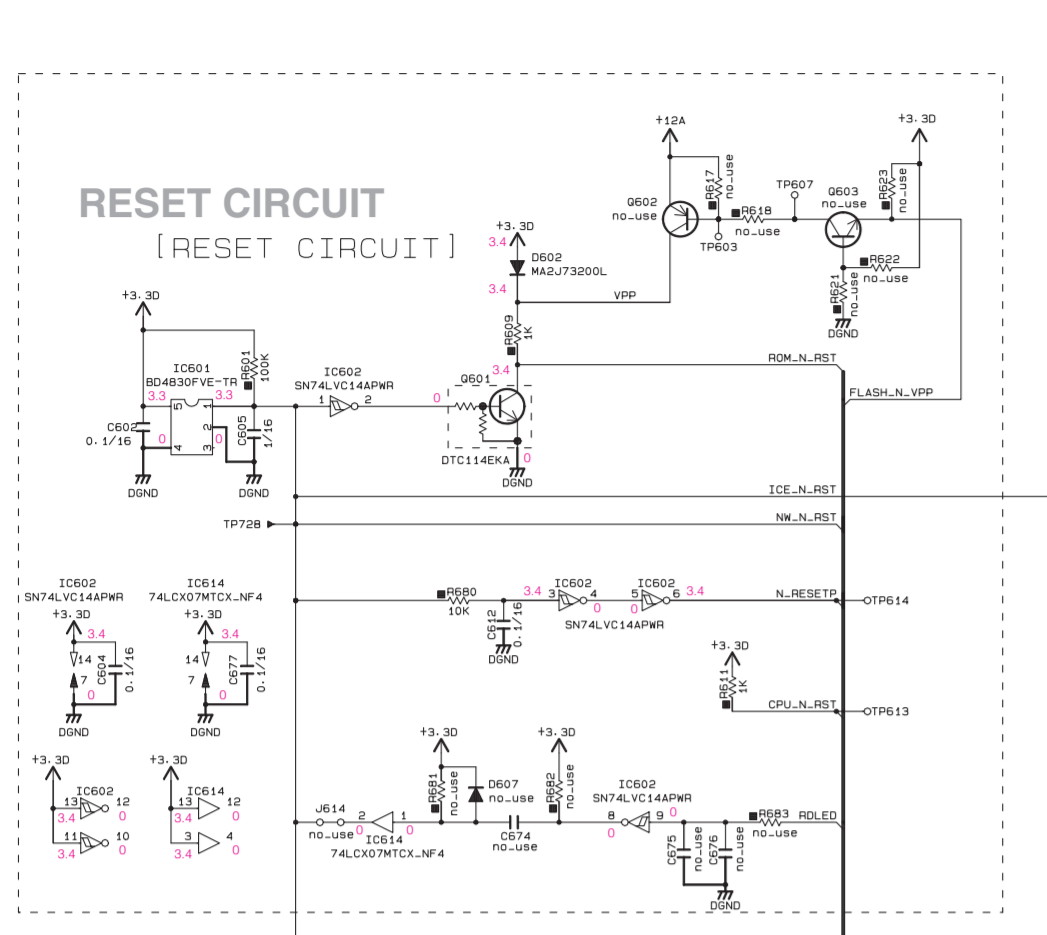
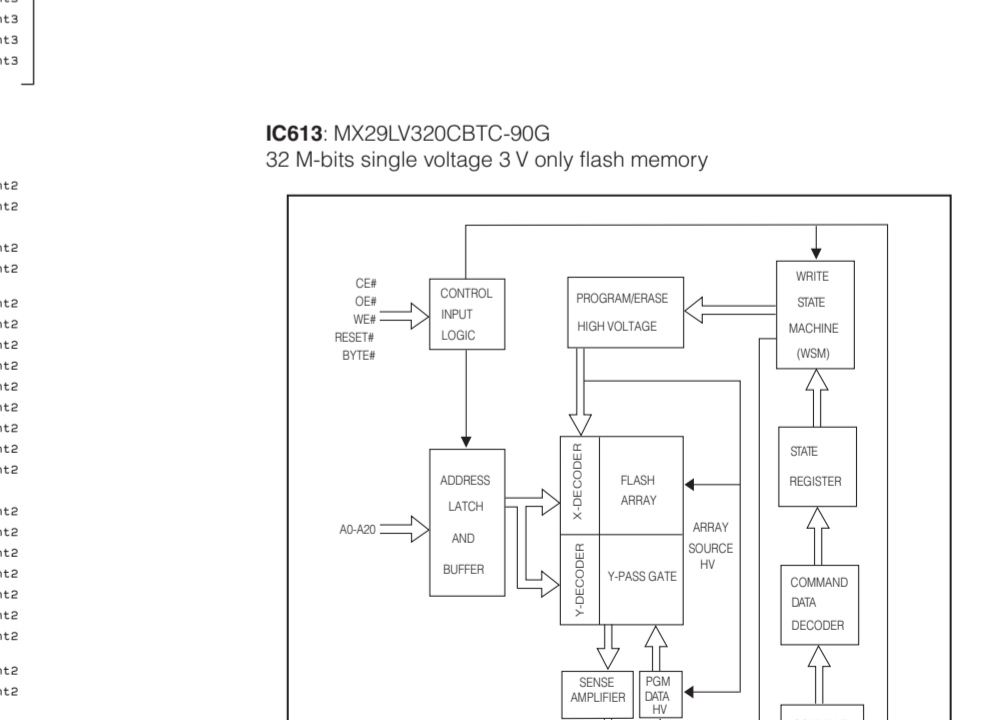
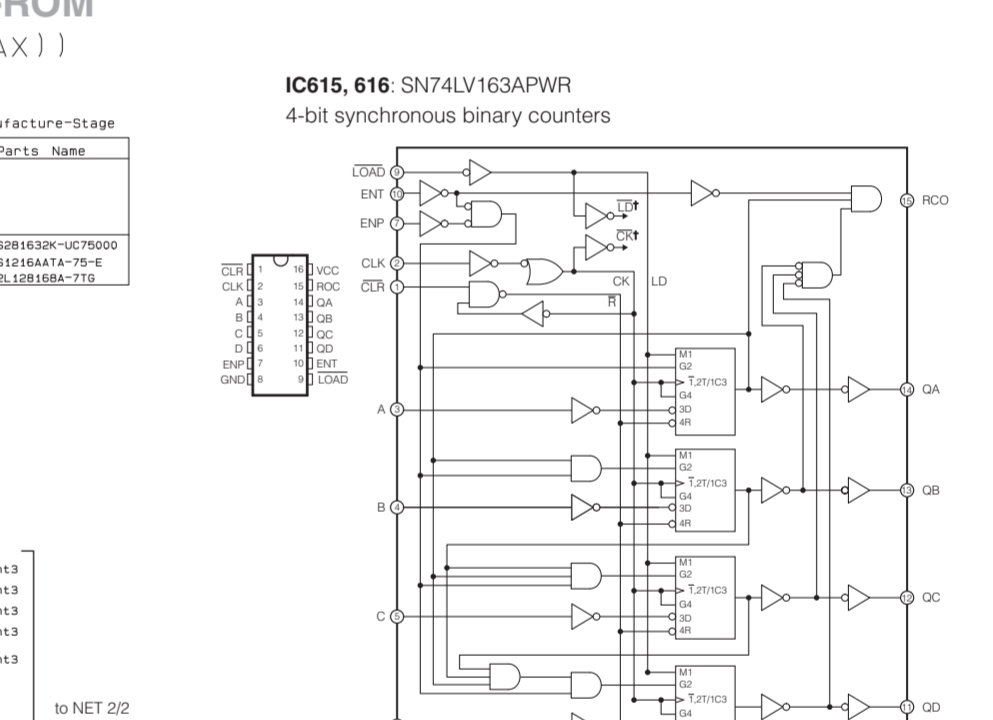
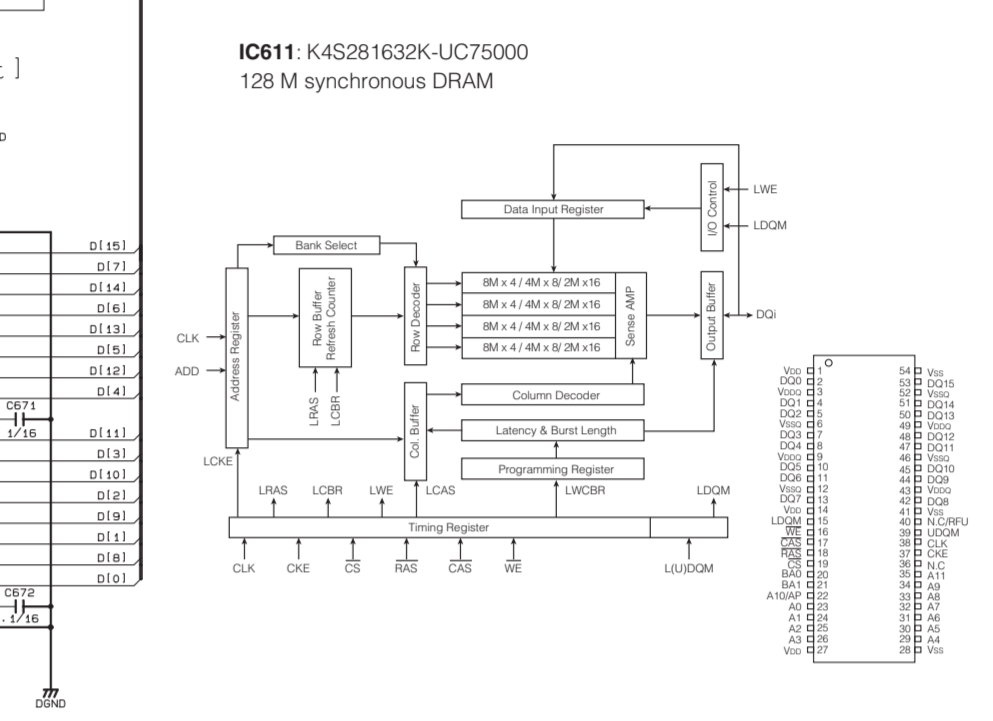
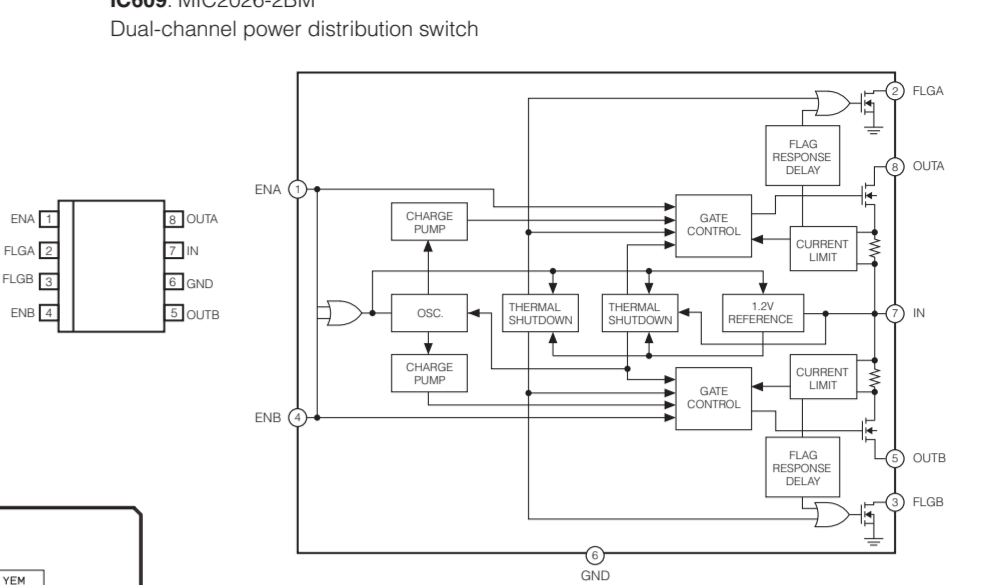
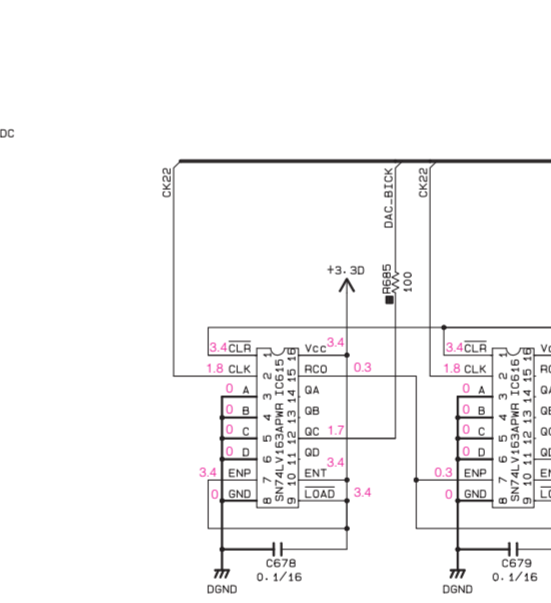
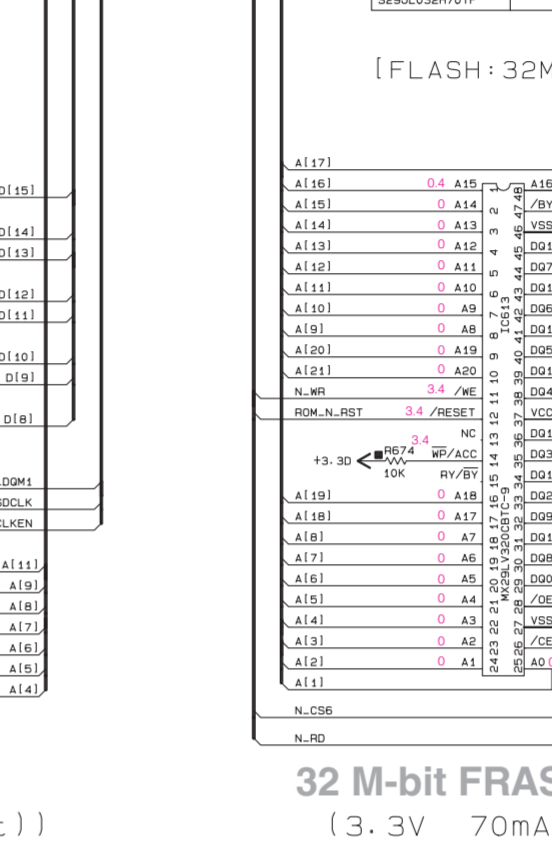
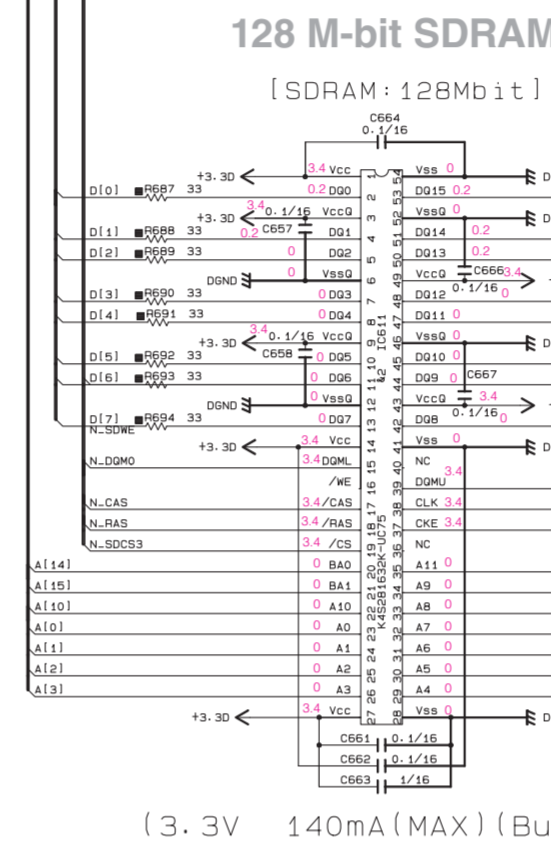
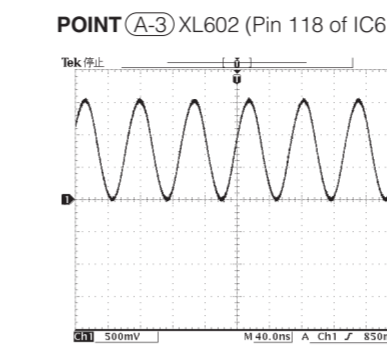
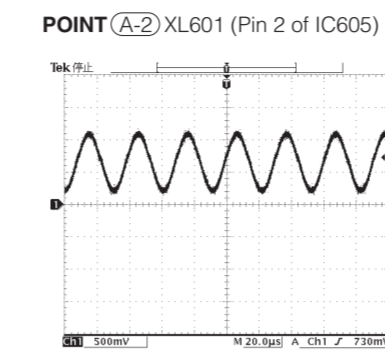
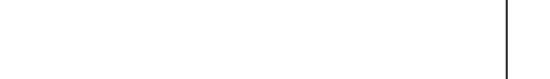
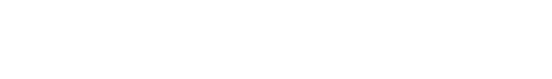
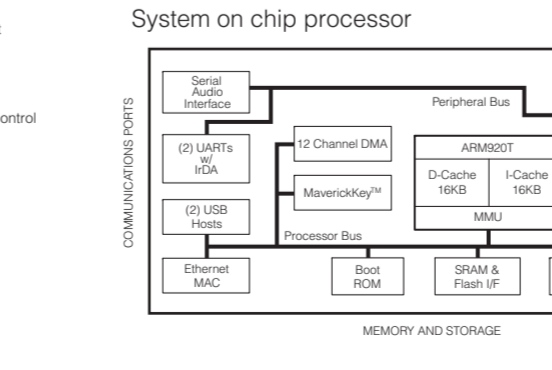
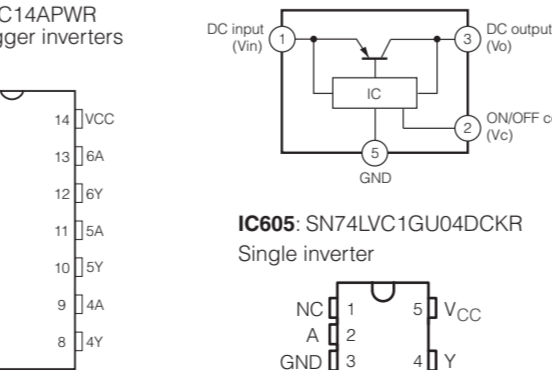
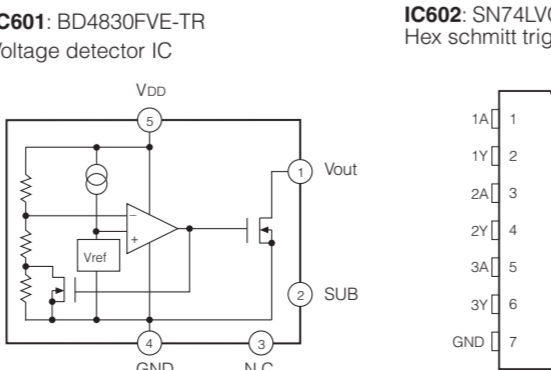


Table with 2 columns: PARTS NAME, PARTS NAME. Lists various components like resistors, capacitors, and their values.



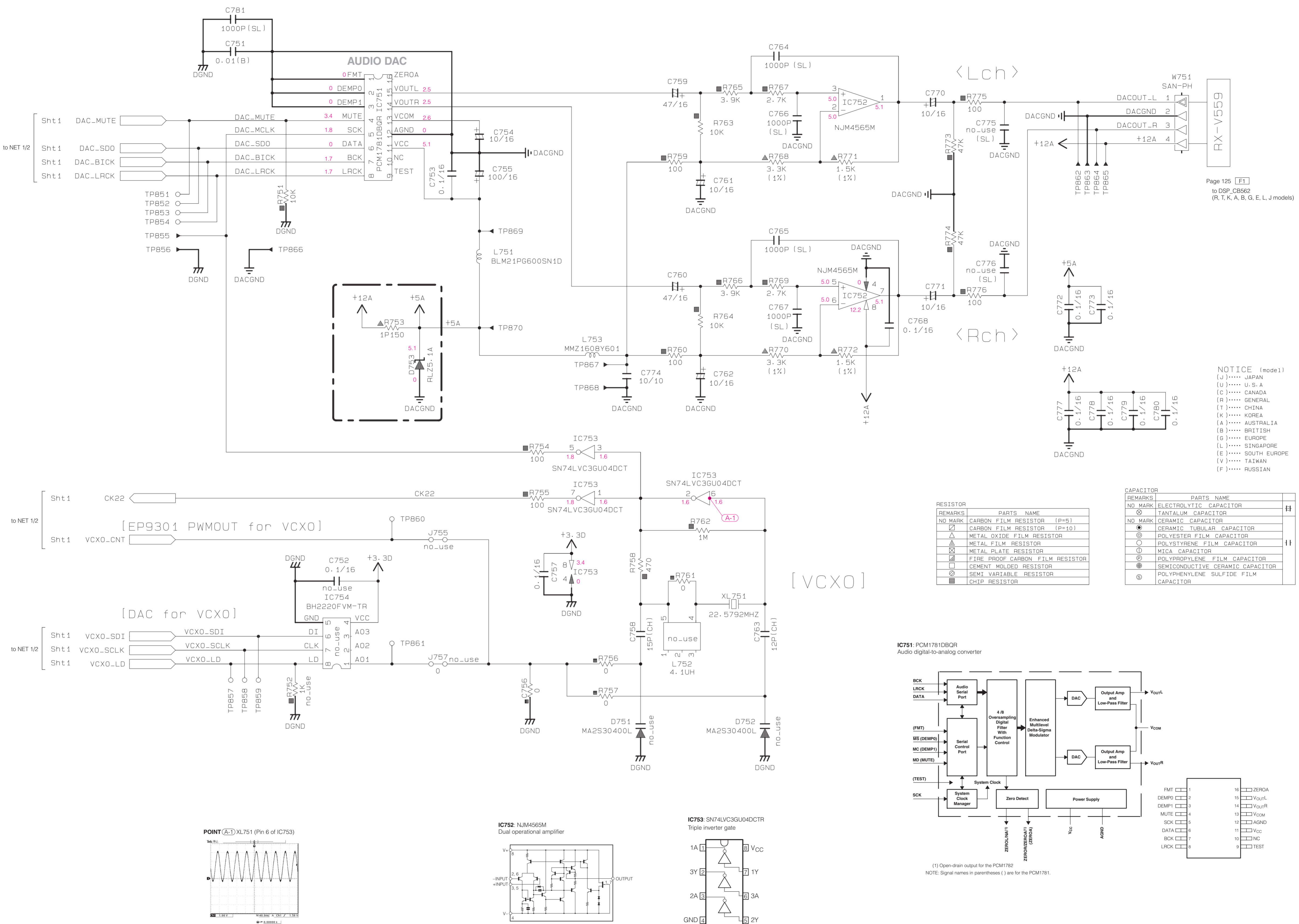
All voltages are measured with a 10MQ/V DC electronic voltmeter. Components having special characteristics are marked with a star and must be replaced with parts having specifications equal to those originally installed.

電圧は、内部抵抗10MΩの電圧計で測定したものです。★印のある部品は、安全性確保部品を示しています。部品の交換が必要な場合、パーツリストに記載されている部品を使用してください。

●本回路図は標準回路図です。改良のため予告なく変更することがございます。



NET 2/2



Page 125 [E1] to DSP\_CB562 (R, T, K, A, B, G, E, L, J models)

NOTICE (mode1)

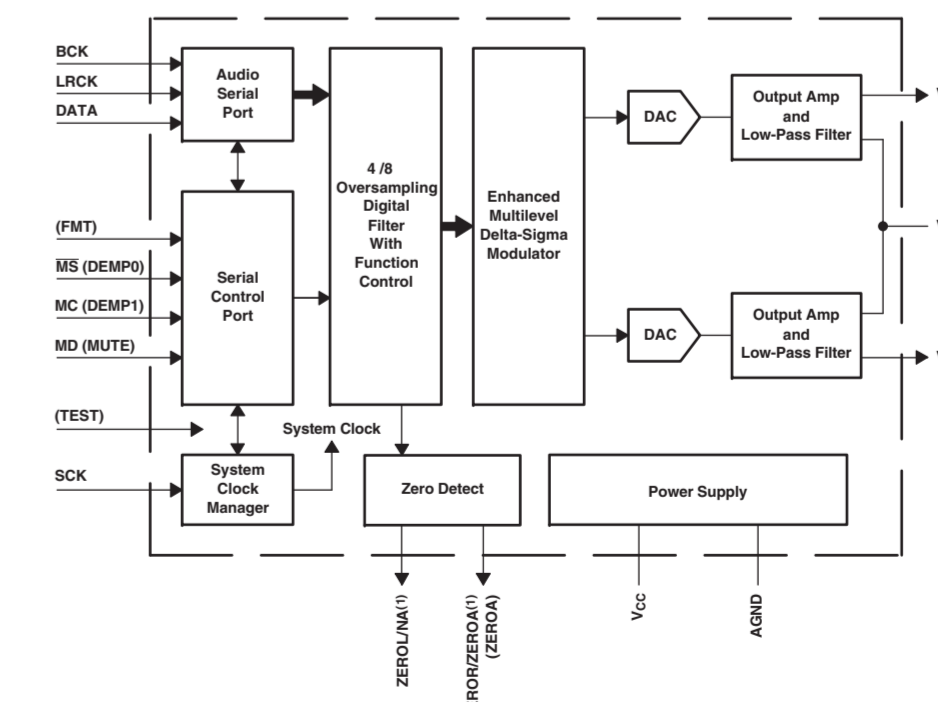
(J)..... JAPAN  
 (U)..... U.S.A  
 (C)..... CANADA  
 (R)..... GENERAL  
 (T)..... CHINA  
 (K)..... KOREA  
 (A)..... AUSTRALIA  
 (B)..... BRITISH  
 (G)..... EUROPE  
 (L)..... SINGAPORE  
 (E)..... SOUTH EUROPE  
 (V)..... TAIWAN  
 (F)..... RUSSIAN

REMARKS	PARTS NAME
NO MARK	CARBON FILM RESISTOR (P=5)
⊠	CARBON FILM RESISTOR (P=10)
△	METAL OXIDE FILM RESISTOR
⊙	METAL FILM RESISTOR
⊚	METAL PLATE RESISTOR
⊞	FIRE PROOF CARBON FILM RESISTOR
⊞	CEMENT MOLDED RESISTOR
⊞	SEMI VARIABLE RESISTOR
■	CHIP RESISTOR

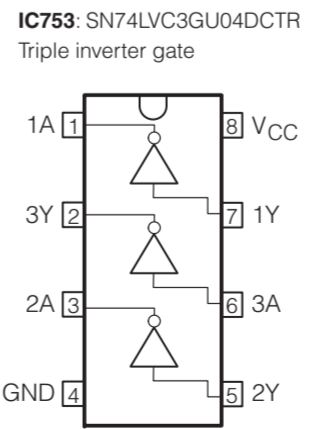
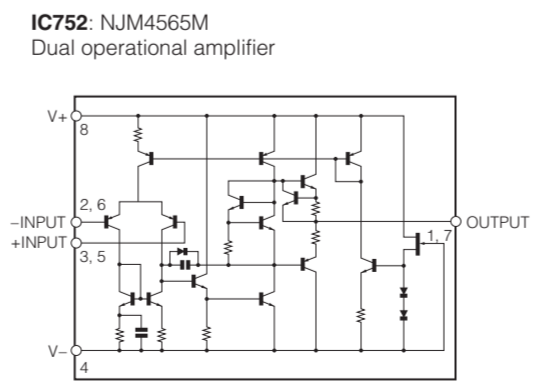
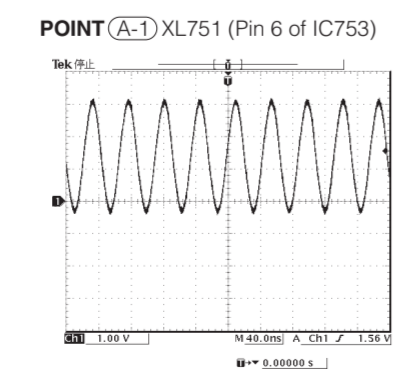
REMARKS	PARTS NAME
⊖	ELECTROLYTIC CAPACITOR
⊗	TANTALUM CAPACITOR
⊙	CERAMIC CAPACITOR
⊚	CERAMIC TUBULAR CAPACITOR
⊞	POLYESTER FILM CAPACITOR
⊞	POLYSTYRENE FILM CAPACITOR
⊞	MICA CAPACITOR
⊞	POLYPROPYLENE FILM CAPACITOR
⊞	SEMICONDUCTIVE CERAMIC CAPACITOR
⊞	POLYPHENYLENE SULFIDE FILM CAPACITOR

[VCXO]

IC751: PCM1781DBQR Audio digital-to-analog converter



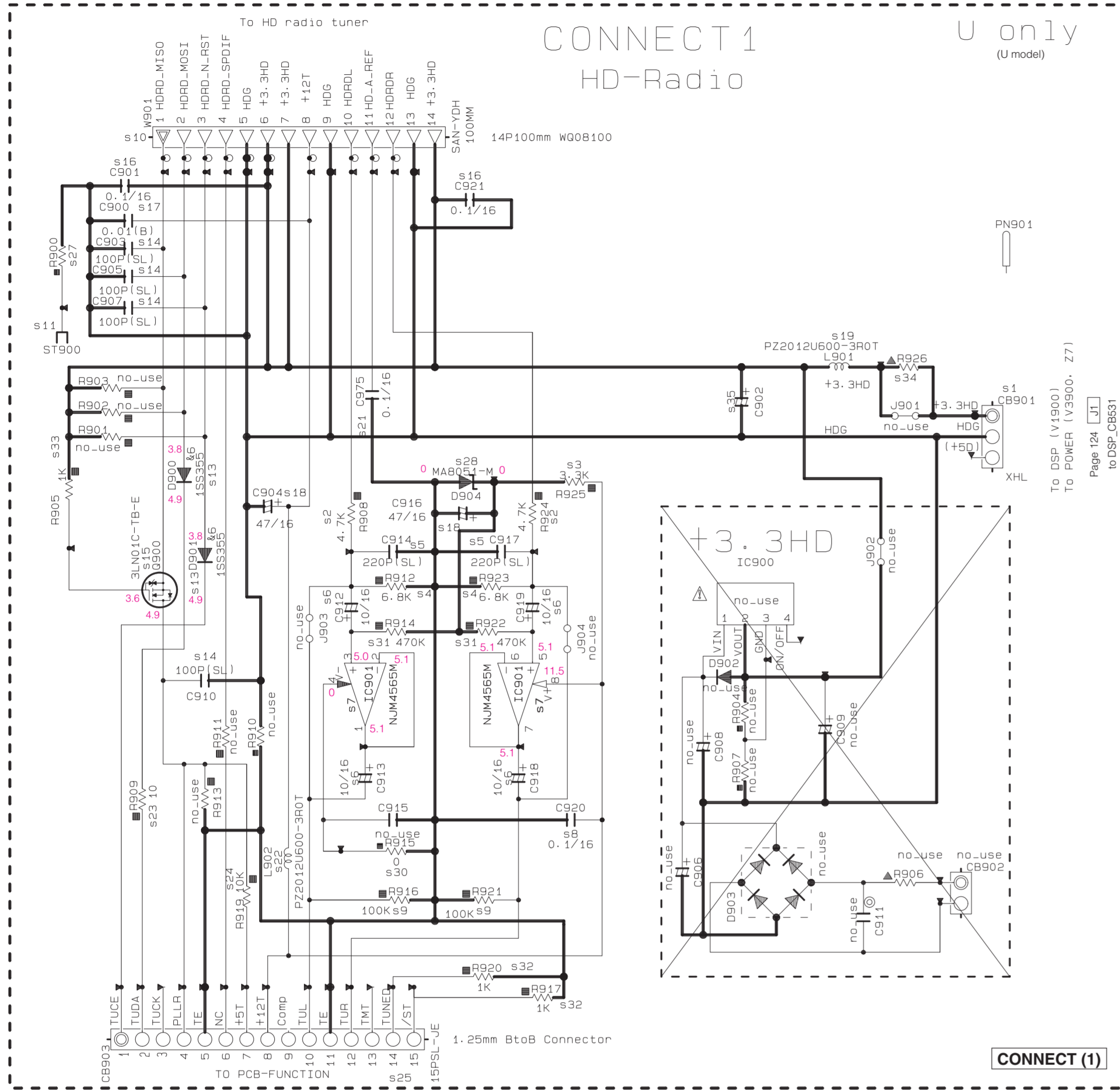
(1) Open-drain output for the PCM1782. NOTE: Signal names in parentheses ( ) are for the PCM1781.



★ All voltages are measured with a 10MΩ/V DC electronic voltmeter.  
 ★ Components having special characteristics are marked ⊠, and must be replaced with parts having specifications equal to those originally installed.  
 ★ Schematic diagram is subject to change without notice.

● 電圧は、内部抵抗10MΩの電圧計で測定したものです。  
 ● ⊠印のある部品は、安全性確保部品を示しています。部品の交換が必要な場合、パーツリストに記載されている部品を使用してください。  
 ● 本回路図は標準回路図です。改良のため予告なく変更することがございます。

CONNECT



CONNECT (1)

Page 126 [A2] to FUNCTION (1)\_CB401

NOTICE (model) Interchangeable Parts at Manufacture-Stage

Mark	Reference Parts Number	Parts Name
&1	D900-901-953-954	1SS355
		MA2J1110GL
		KDS160-RTK/P

(J)..... JAPAN  
 (U)..... U.S.A  
 (C)..... CANADA  
 (R)..... GENERAL  
 (T)..... CHINA  
 (K)..... KOREA  
 (A)..... AUSTRALIA  
 (B)..... BRITISH  
 (G)..... EUROPE  
 (L)..... SINGAPORE  
 (E)..... SOUTH  
 (V)..... TAIWAN  
 (F)..... RUSSIAN

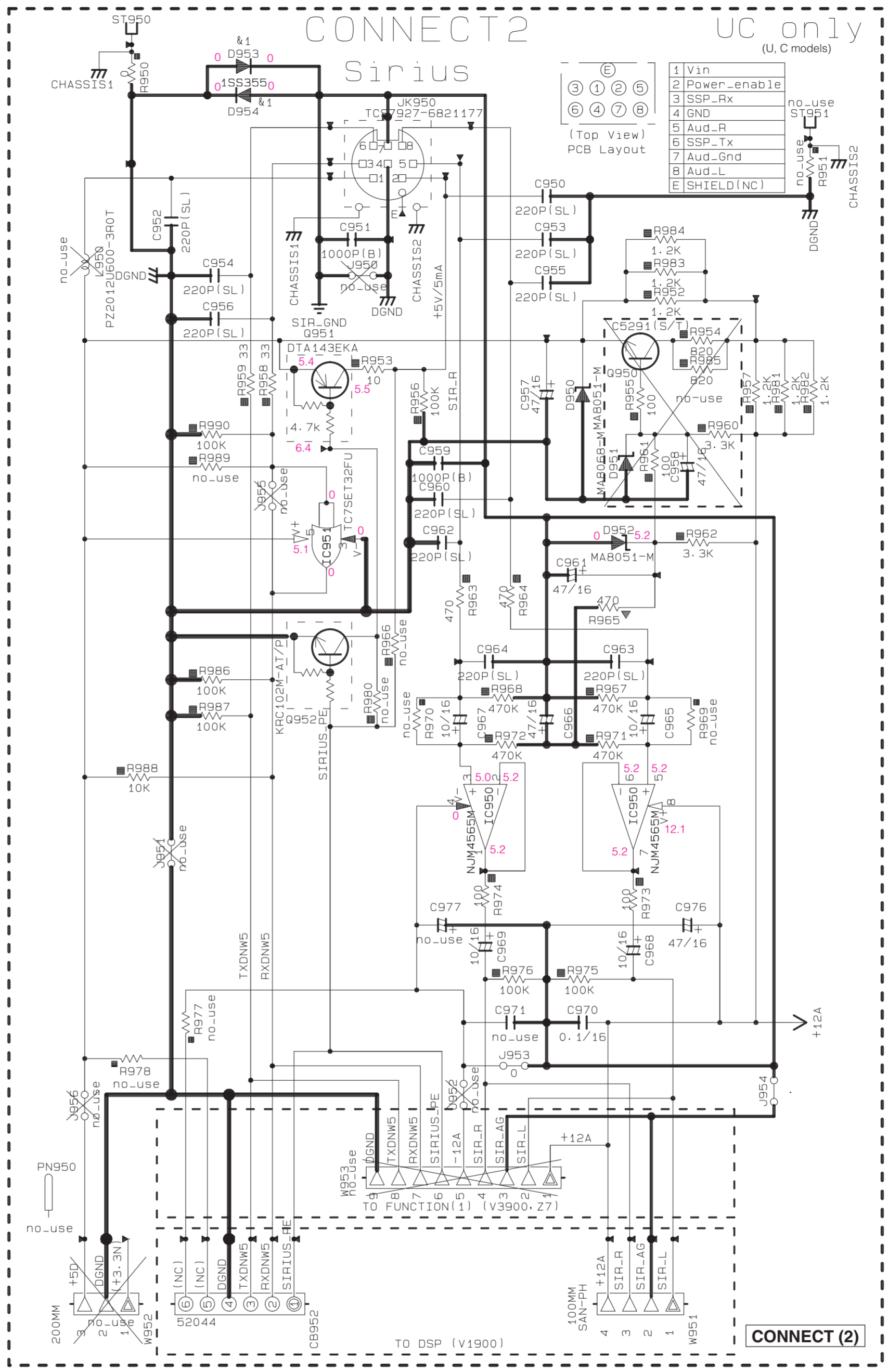
RESISTOR

REMARKS	PARTS NAME
NO MARK	CARBON FILM RESISTOR (P=5)
□	CARBON FILM RESISTOR (P=10)
△	METAL OXIDE FILM RESISTOR
▲	METAL FILM RESISTOR
⊠	METAL PLATE RESISTOR
▨	FIRE PROOF CARBON FILM RESISTOR
□	CEMENT MOLDED RESISTOR
⊞	SEMI VARIABLE RESISTOR
■	CHIP RESISTOR

CAPACITOR

REMARKS	PARTS NAME
NO MARK	ELECTROLYTIC CAPACITOR
⊗	TANTALUM CAPACITOR
NO MARK	CERAMIC CAPACITOR
●	CERAMIC TUBULAR CAPACITOR
○	POLYESTER FILM CAPACITOR
◎	POLYSTYRENE FILM CAPACITOR
⊖	MICA CAPACITOR
Ⓟ	POLYPROPYLENE FILM CAPACITOR
Ⓢ	SEMICONDUCTIVE CERAMIC CAPACITOR
Ⓣ	POLYPHENYLENE SULFIDE FILM CAPACITOR

★ All voltages are measured with a 10MQ/V DC electronic voltmeter.  
 ★ Components having special characteristics are marked \* and must be replaced with parts having specifications equal to those originally installed.  
 ★ Schematic diagram is subject to change without notice.  
 ● 電圧は、内部抵抗10MΩの電圧計で測定したものです。  
 ● \*印のある部品は、安全性確保部品を示しています。部品の交換が必要な場合、パーツリストに記載されている部品を使用してください。  
 ● 本回路図は標準回路図です。改良のため予告なく変更することがございます。



CONNECT (2)

Page 126 [G8] to FUNCTION (1)\_CB408

Page 125 [F1] to DSP\_CB562

Destination Part List

sXX	LOC	U	C
s1	CB901	LB91903 XHL	X
s2	R924 R908	RD35647 4.7K	X
s3	R925	RD35633 3.3K	X
s4	R923 R912	RD35668 6.8K	X
s5	C914 C917	US06222 220P(SL)	X
s6	C918 C919 C912 C913	UM39710 10/16	X
s7	IC901	X737BA0 NUM4565M	X
s8	C920	US13510 0.1/16	X
s9	R916 R921	RD35810 100K	X
s10	W901	W008100 SAN-YDH	X
s11	ST900	V404050	X
s13	D901 D900	VT33290 1SS355	X
s14	C903 C907 C905 C910	US06210 100P(SL)	X
s15	Q900	WH44500 3LNO1C-TB-E	X
s16	C901 C921	US13510 0.1/16	X
s17	C900	US06410 0.01(B)	X
s18	C916 C904	UM39747 47/16	X
s19	L901	W653720 PZ2012U600-3R0T	X
s21	C975	US13510 0.1/16	X
s22	L902	W653720 PZ2012U600-3R0T	X
s23	R909	RD35410 10	X
s24	R919	RD35710 10K	X
s25	CB903	VU44380 15PSL-JE	X
s27	R900	RD35000 0	X
s28	D904	VU99260 MAB051-M	X
s29	PN901	V963750	X
s30	R915	RD35000 0	X
s31	R922 R914	RD35847 470K	X
s32	R917 R920	RD35610 1K	X
s33	R905	RD35610 1K	X
s34	R926	VU22420 1P0.47	X
s35	C902	UR21922 220/6.3	X

NA No. WP15580 WP15590  
 NC No. X9907

